



B-SERIES

PARTS COUNTERMAN'S CATALOG

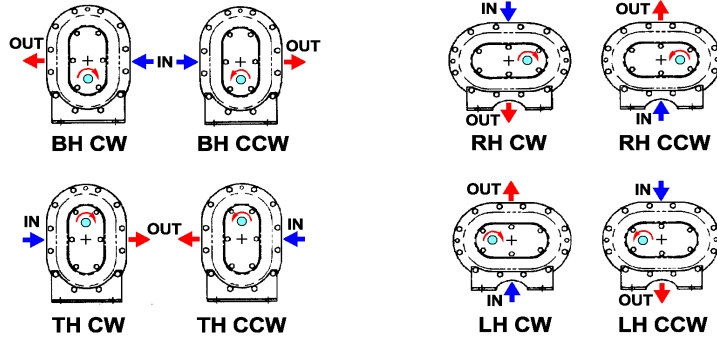
Section 10

Vacuum System Components



ROTARY LOBE BLOWERS

This is an informational bulletin listing the various blowers (formerly referred to as Positive Displacement Exhausters) used on Aquatech "Vac" and "Jet-Vac" units.



PART NUMBER	MAKE/MODEL	CFM *	SHAFT	ROT	TYPICAL WHERE USED	INLET GSK	OUTLET GSK.
Hibon HH4064	A340410	3600	BH	?	Older B-Series	no records	no records
Hibon HH4084	A340412	?	BH	?	Older B-Series	no records	no records
Hibon VTB820	A382001	1400	BH	CCW	B6-EW	A382044	A382044
Hibon TS56MV18	A381565	3650	BH	CW	B-Series	U3803-0019	U3803-0019
Hibon TS56MV18	A381598	3650	TH	CCW	B12/2000	U3803-0019	U3803-0019
Hibon SIAV 840	A381622	3800	BH	CCW	B-Series	U3803-0031	A381922
Hibon SIAV 840	A381920	3800	BH	CW	X-10, X-15	U3803-0031	A381922
Hibon SIAV 8702	A381429	5250	TH	CW	B-15	U3803-0032	A382759
Hibon SIAV 8702	A381621	5250	BH	CCW	CB-15	U3803-0032	A382759
Hibon SIAV 8702	A382758	5250	BH	CCW	A few B-Series	U3803-0032	A382759
Robuschi RB80H	A340340 (OBS)	1000	BH	CCW	Older JV1000, JV1000HPD	A241445	A241445
Robuschi RB80V	A340300 (OBS)	1000	?	?	No Records	A241445	A241445
Robuschi RBS85	A340341	1200	BH	CCW	Non-Direct Repl. for RB80H	A241445	A241445
Robuschi RB100 (A15)	A340020 (OBS)	?	?	?	no records	18-0144	18-0144
Robuschi RB100V (A15V)	A340010 (OBS)	?	?	?	no records	18-0144	18-0144
Robuschi RB120 (A27A)	A340180 (OBS)	2700	BH	CW	Older B-Series	18-0482	18-0482
Robuschi RB130 (A31A)	A340230 (OBS)	3100	BH	CW	Older B-Series	18-0482	18-0482
Robuschi RB140 (A45A)	A340270 (OBS)	4500	BH	CW	Older B-Series	A238888	A238888
Robuschi RBS145	A338118	4800	BH	CW	Non-Direct Repl. for RB140	A238888	A238888
Robuschi RVT120 (A27)	A340050 (OBS)	2700	BH	CW	Replaced by A340050	A191576	A191576
Robuschi RVT130 (A31)	A340100 (OBS)	3100	BH	CW	Replaced by A340100	A241446	A241446
Robuschi RVT140 (A45)	A340150 (OBS)	4500	BH	CW	Replaced by A340150	A238888	A238888
Roots 406-RCS	A340401	?	?	?	no records	no records	no records
Roots 412	A000020	1166	LH	CCW	JV1000, JV1000HPD	18-0143	18-0143
Roots 412	A340350	1166	BH	CCW	B-3	18-0143	18-0143
Roots 624-RAM	A340400	3173	BH	Bi-Dir	B-Series early 90s to present	A242808	A242808
Roots 624-RAM	A340421	3173	RH	CW	B6-2E, B10-2E	A242808	A242808
Roots 824-RCS	A340405 (OBS)	4208	BH	CW	Replaced by 134000000	U3803-0019	U3803-0019
Roots 824-RCS	134000000	4208	BH	CW	B-Series	U3803-0019	U3803-0019
Roots 827-RCS	A340407	4822	BH	CW	B-Series	A242799	A242799
Sutorbilt 6MP	A381052	1500	LH	CCW	JVLT	5"NPT	5"NPT

* Free air displacement at maximum speed

ISO 220 Industrial Gear Oil

Manufacturer's Recommendations (for Normal Ambient Temperatures)

GASO 3364 Series Water Pump	EP5 non corrosive to bronze* (check with oil supplier)
General Pump Company, all large frame pumps	R&O
Hibon blower models VTB810H & VTB820H	Mobilgear SHC 630 (synthetic)
Hibon all other model blowers	Mobilgear 630 (EP5) or Mobilgear SHC 630 (synthetic)
Myers D65 & DP80 Series Water Pumps	Mobilgear 630 (EP5)
Roots Blowers (prior to 2005)	EP5 or for severe duty use Synfilm GT
Roots Blowers (units since 2005)	Roots Synfilm GT (synthetic)
Sutorbilt (Gardner Denver) Blowers	Can use EP5 but their own AEON PD is recommended
Uraca Water Pumps	R&O (can use 75W90 GL5 Synthetic or 80W90 GL5)

* Sulfur-phosphorus EP additives are corrosive to copper and copper alloys (brass, bronze, etc.)

Rust and oxidation inhibited (R&O) gear lubricants do not contain antiscuff additives or lubricity agents. R&O gear oils generally perform well in the categories of chemical stability, demulsibility, corrosion prevention and foam suppression. These products were designed for use in gearing operating under relatively high speeds, low loads, and with uniform loading (no shock loading).

Antiscuff gear lubricants, commonly referred to as extreme pressure (EP) lubricants, have some performance capabilities that exceed those for R&O oils. In addition to the properties listed for R&O lubricants, antiscuff lubricants contain special additives that enhance their film strength or load-carrying ability.

Below is a list of brands and their designations for ISO 220 gear oil.

BRAND	Mineral Based R&O Gear & Bearing Oil	Mineral Based EP5 (AGMA 5EP) Gear Oil	Synthetic EP5 (AGMA 5S) Base formulation: PAO (Polyalpha-olefin)*
Agip	Acer 220	Blasia 220	Blasia SX 220
Amoco	American Industrial Oil 220	Permagear EP LUB 220	Synthogear EP 220
BP	Energol HLP-HM 220	Energol GR-XP 220	Energol EP-XF 220
Castrol	Alpha ZN220 or Magna 220	Alpha SP220	Alphasyn HG 220
Chevron	AIO 220	Ultra Gear ISO 220	Tegra ISO 220
Citgo	Pacemaker 220	Citgo EP Compound 220	Citgear Synthetic HT 220
Conoco	Multipurpose R&O 220	Hydroclear EP ISO 220	Syncon ISO 220
ExxonMobil	Nuto 220 (Esso) Terresstic 220 (Exxon) D.T.E. Oil BB (Mobil)	Spartan EP 220 (Esso/Exxon) Mobilgear 600 XP 220	Mobilgear SHC 630 **
Gardner/Denver	--	--	AEON PD Synthetic
Phillips 66	Magnus Oil 220	Philgear 220	Syndustrial EP 220
Primrose	--	--	Syn-O-Gen 747-S 5EP
Roots	--	--	Synfilm GT
Royal Purple	--	--	Synfilm GT 220
Shell	Shell Morlina S2 BA 220	Shell Omala S2 G 220	Shell Omala S4 GX 220
Sinclair	Artic Fire R&O 220	Artic Fire EP 220	Dyno-Tech EP 220
Sunoco	Sunvis 9220	Sunep 220	Challenge EP 220
Texaco	Regal R&O 220 or Rando HD 220	Meropa 220	Pinnacle EP 220
Valvoline	Utramax 220	Valvoline EPG 220	--

* PAG (polyalkylene) oil is not recommended ** Not recommended by Roots due to oil seal incompatibility

O.E.M. OILS: If for some reason you cannot find the recommended oil we can arrange to have the OEM oil drop shipped to you.

Roots Synfilm GT: Hi-Vac p/n 26-0108 (gal.)

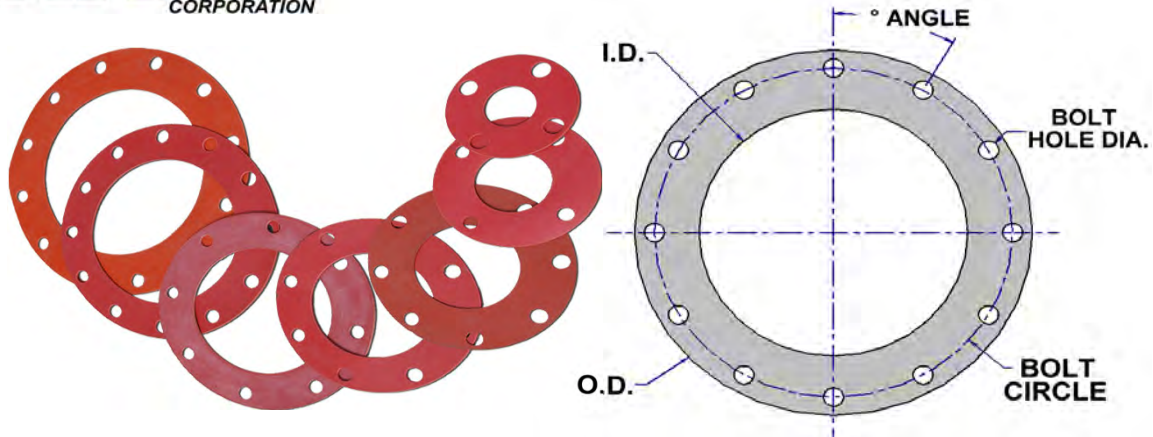
Gardner Denver AEON PD: Hi-Vac p/n 26-0067 (qt.) or 26-0100 (5 gal.)

General Pump ISO220: Hi-Vac p/n 26-0107 (2.5 gal.)

OIL LEVEL SIGHT EYES FOR BLOWERS AND ETC.

 <p>1/4"MNPT Nickle Plated Steel Sight Eye for Clear Liquid P/N 03-0403</p>	 <p>3/8"MNPT Brass Sight Eye for Clear Liquid P/N 03-0387</p>	 <p>1/2"MNPT Brass Sight Eye for Clear Liquid P/N 03-0373</p>
 <p>3/4"MNPT Sight Eye for Sutorbilt Blower USE P/N 03-0375</p>	 <p>3/4"MNPT Nickle Plated Steel Sight Eye for Dark Liquid P/N 03-0375</p>	 <p>1"MNPT Nickle Plated Steel Sight Eye for Dark Liquid P/N 03-0374</p>
 <p>3-1/4" Vertical Sight Gauge for 10" 8000 Series Sutorbilt P/N TBA</p>	 <p>Vertical Sight Gauge for Sutorbilt, 1/8"NPT P/N 03-0376</p>	

BLOWER FLANGE GASKETS



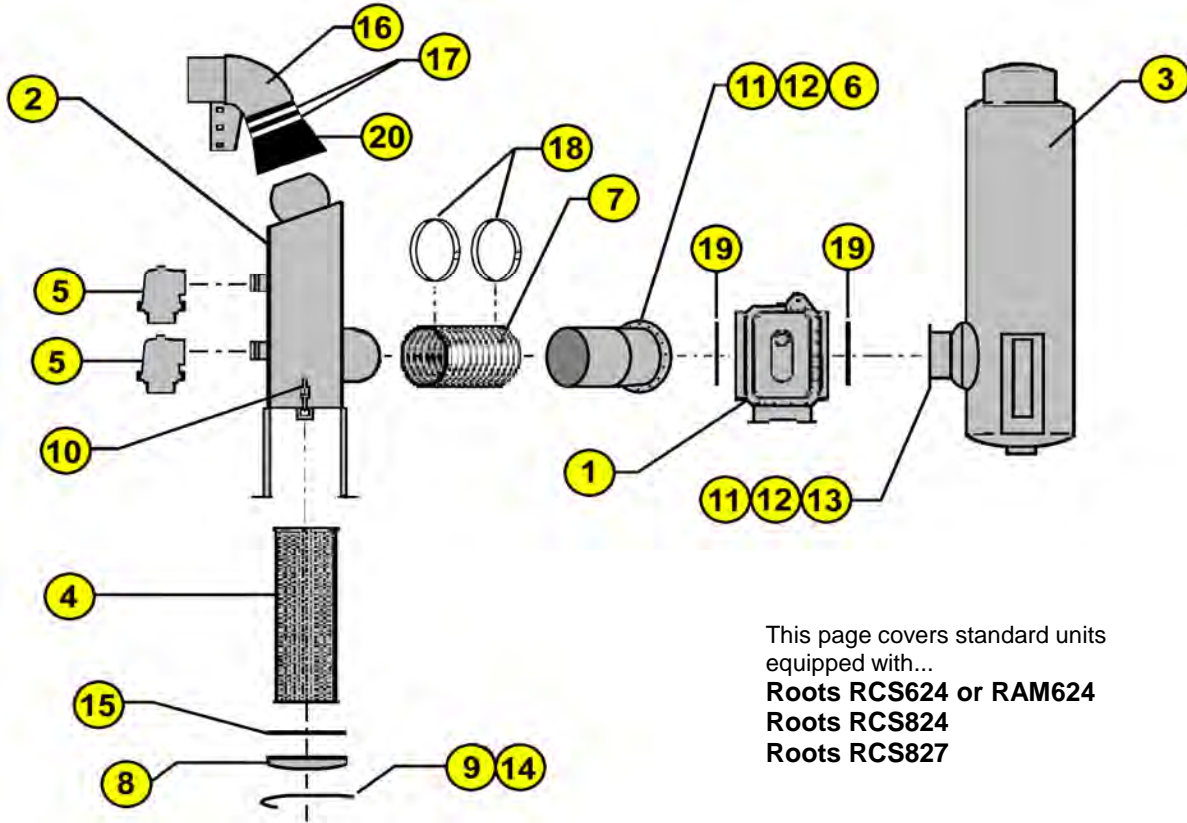
Gasket Part No.	Bolt Circle	Bolt Holes	Bolt Hole Dia.	I.D.	O.D.	Angle	Material	Application
18-0383	6.688"	4	.688"	3"	6"	90°	?	Wade SR-035
18-0143	9.50"	8	.75"	6.625"	11"	45°	Silicone	Roots 409, 412, 418, 616, 711 Sutorbilt 608-4500, 6H, 7ML, 8ML, MD 5514
A241445	9.50"	8	.906"	6"	11.22"	45°	Vegi Fiber	Robuschi RB80, RBS85
18-0144	11.75"	8	.75"	8"	13.5"	45°	Silicone	Sutorbilt 711x4500, Roots 616DVJ
A191576	13.78"	12	1"	10"	15.5"	30°	Vegi Fiber	Robuschi RVT120, Hibon HH4064
A241446	14.25"	12	1"	10"	16"	30°	?	Robuschi RB120, RB130 (USE 18-0482)
A242808	14.25"	12	1"	10.375"	16"	30°	Fiber	Roots 624RCS/RAM
18-0482	14.25"	12	1"	10.625"	16"	30°	Silicone	Roots 624RCS/RAM, 715 Sutorbilt 716, 816x4500
U3803-0032	15.75"	12	.875"	11.8125"	17.5"	30°	Silicone	Hibon HH4083. HH4084 & inlet side of SIAV8702, 8902
A238888	17"	12	.984"	12"	18.70"	30°	?	Robuschi RB140
U3803-0019	17"	12	1"	12.625"	19"	30°	Rubber	Roots 824, Hibon TS56
U3803-0031	17"	12	1"	12.625"	19"	30°	Silicone	Roots 721DVJ, Hibon SIAV840 inlet side
A242799	18.75"	12	1"	14"	21"	30°	Fiber	Roots 827

OTHER ROUND FLANGE GASKETS

Gasket Part No.	Bolt Circle	Bolt Holes	Bolt Hole Dia.	I.D.	O.D.	Angle	Material	Application
18-0264	6"	8	.5"	4"	8"	45°	Silicone	
18-0146	7"	8	.375"	5"	9"	45°	Silicone	5" Silencer Flange
18-0147	8"	8	.375"	6"	10"	45°	Silicone	6" Silencer Flange
18-0145	8.5"	8	.75"	5"	10"	45°	Silicone	
18-0382	9.5"	8	.8125"	6.75"	9.5"		Silicone	
U3803-0017	11.75"	8	.8125"	8.3125"	13.5"	45°	Neoprene	
U3803-0041	13.5"	12	.4375"	12"	15"	30°	Neoprene	
U3803-0035	14.125"	8	.625"	10"	16"	45°	Neoprene	
U3803-0026	14.25"	6	1"	10"	16"	60°	EPDM	
U3803-0023	14.25"	12	.9375"	10"	16"	30°	Neoprene	
U3803-0043	14.25"	12	1"	10.125"	16"	30°	Neoprene	
U3803-0030	17.75"	12	1.125"	14"	21"	30°	Silicone	
U3803-0029	21.25"	16	1.125"	15"	23.5"	22.5°	Neoprene	



B-SERIES EXHAUSTER & DUCTING (WITH OLD STYLE VERTICAL STRAINER)



This page covers standard units
equipped with...
Roots RCS624 or RAM624
Roots RCS824
Roots RCS827

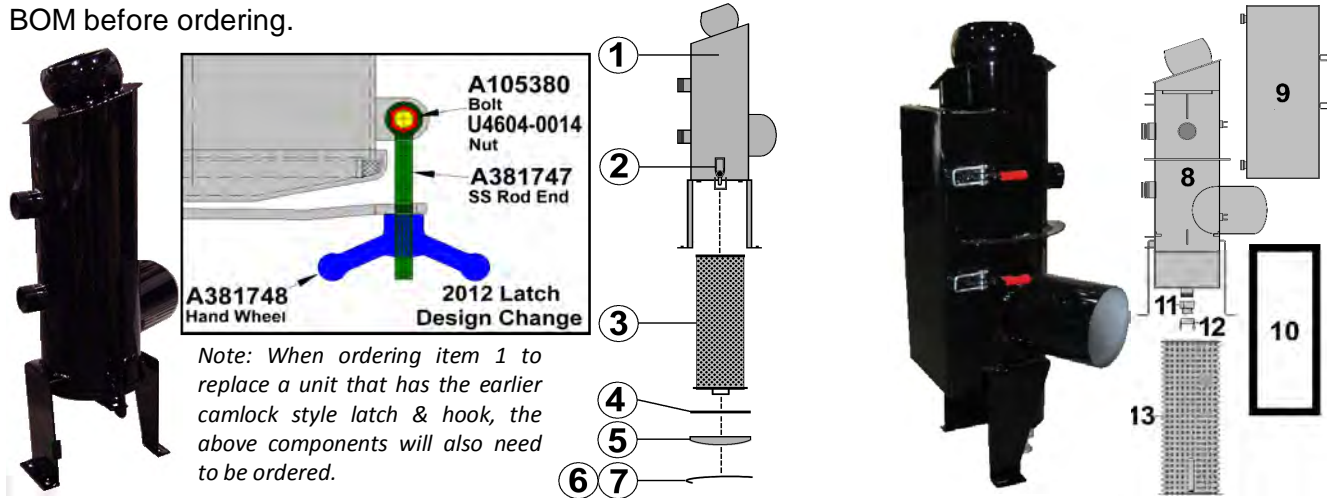
ITEM	DESCRIPTION	PART NO. w/624	PART NO. w/824	PART NO. w/827	PART NO. w/T56
1	PD Exhauster (Blower)	A340400	A340405	A340407	A381565
2	Strainer Weldment	A246114 +	A239302	A239302	A239302
3	Silencer Assembly	A380796	A380079	A381326	A380079
4	Inlet Screen	A239235 +	A239235	A239235	A239235
5	Vacuum Relief Valve	A255041 (Qty. 2)	A255041 (Qty. 3)	A255041 (Qty. 3)	A255041-18 (Qty. 3)
6	Exhauster Inlet Flange Assy.	A242804	A242749	A000447	A242749
7	Rubber Flex Sleeve	A176380	A176380	A176380	A176380
8	Strainer Cover	A154080 +	A154080	A154080	A154080
9	Spring Bar	A154090 +	A154090	A154090	A154090
10	Camlock Hook	A152970 +	A152970	A152970	A152970
11	Exhauster Flange Cap Screw	A383206 (24)	A105737 (12) * A105741 (12) **	A105737 (12) * A105741 (12) **	A105737 (12) * A105741 (12) **
12	Exhauster Flange Flat Washer	N/R	A107244 (24)	A107244 (24)	A107244 (24)
13	Exhauster Flange Lock Washer	A107307 (24)	A107307 (24)	A107307 (24)	A107307 (24)
14	Cotter Pin	A102700 +	A102700	A102700	A102700
15	Cover Gasket	A190230 +	A190230	A190230	A190230
16	Closure Elbow Weldment	A239294	A239294	A239294	A239294
17	Clamp - original Band-It type Clamp - optional T-bolt type	A220720 (2) A381225 (2)	A220720 (2) A381225 (2)	A220720 (2) A381225 (2)	A220720 (2) A381225 (2)
18	Clamp - original Band-It type Clamp - optional screw type	A220720 (2) U7000-0243 (2)	A220720 (2) U7000-0243 (2)	A220720 (2) U7000-0243 (2)	A220720 (2) U7000-0243 (2)
19	Exhauster Flange Gasket	A242808 (2)	U3803-0019 (2)	A242799	U3803-0019 (2)
20	Closure Seal	A191286	A191286	A191286	A191286

+ Noted parts are included in A239329-1 assembly.

* Inlet Side ** Discharge Side

VACUUM STRAINER ASSEMBLIES

Here is information on the most common vacuum strainers used on the Aquatech B-Series combo units in both the old and current designs. NOTE: For model B-6 and Australian units, check the BOM before ordering.



Note: When ordering item 1 to replace a unit that has the earlier camlock style latch & hook, the above components will also need to be ordered.

OLD STYLE BOTTOM ACCESS VACUUM STRAINER (ABOVE LEFT)

ITEM	DESCRIPTION	Units with 2 Relief Valves (standard)	Units with 3 Relief Valves (big blowers)	Units with 3 Relief Valves (LH mirrored)
1 to 7	Complete Strainer Assembly	A239329-1	N/A	N/A
1	Strainer Housing Weldment	A246114	A239302	A239302-2
2	Camlock Hook	A152970	A152970	A152970
3	Inlet Screen	A239235	A239235	A239235
4	Cover Gasket	A190230	A190230	A190230
5	Cast Inlet Screen Cover	A154080	A154080	A154080
6	Spring Bar	A154090	A154090	A154090
7	Cotter Pin	A102700	A102700	A102700

CURRENT STYLE SIDE DOOR ACCESS VACUUM STRAINER (ABOVE RIGHT)

Unless there is something that would interfere with opening the door, the current style will retro-fit the old style.

ITEM	DESCRIPTION	Units with 2* or 3 Vacuum Relief Valves	Units w/ 2* or 3 Relief Valves (galvanized)	Units w/ 2* or 3 Relief Valves (LH mirrored)
8 to 14	Complete Strainer Assembly	A384760	N/A	N/A
8 to 12	Strainer Sub Assembly	A387104	A387104-GALV	A387104-L
8	Strainer Housing Weldment	A239309	A239309-GALV	A239309-L
9	Strainer Door Weldment	A239257	A239257	A239257
10	Strainer Door Gasket	A239250	A239250	A239250
11	2" Male Camlock	10-0201	10-0201	10-0201
12	2" Camlock Dust Cap	10-0216	10-0216	10-0216
13	Inlet Screen	A239235-1 **	A239235-1 **	A239235-1 **
14 (ni)	3"NPT Pipe Cap ***	02-0924	02-0924	02-0924

* Has has pipe ports for three vacuum relief valves. For two port applications, a pipe cap is used to block off one port.

** For optional stainless steel screen order part number A239235-1-SS

*** Block-off cap for two vacuum relief port applications.

AQUATECH[®]

B-SERIES CLOSURE ELBOWS



A239294
Standard Elbow



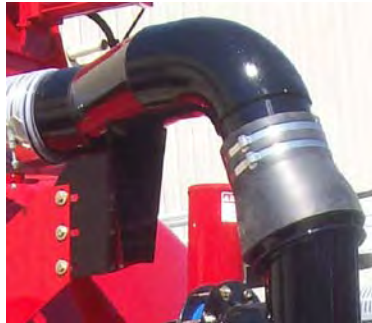
A239294-1
Extended Mounting Bracket



A239294-3
LH Micro-Strainer



A239294-4
With (Low) Horizontal Strainer



A239294-5
Offset Elbow



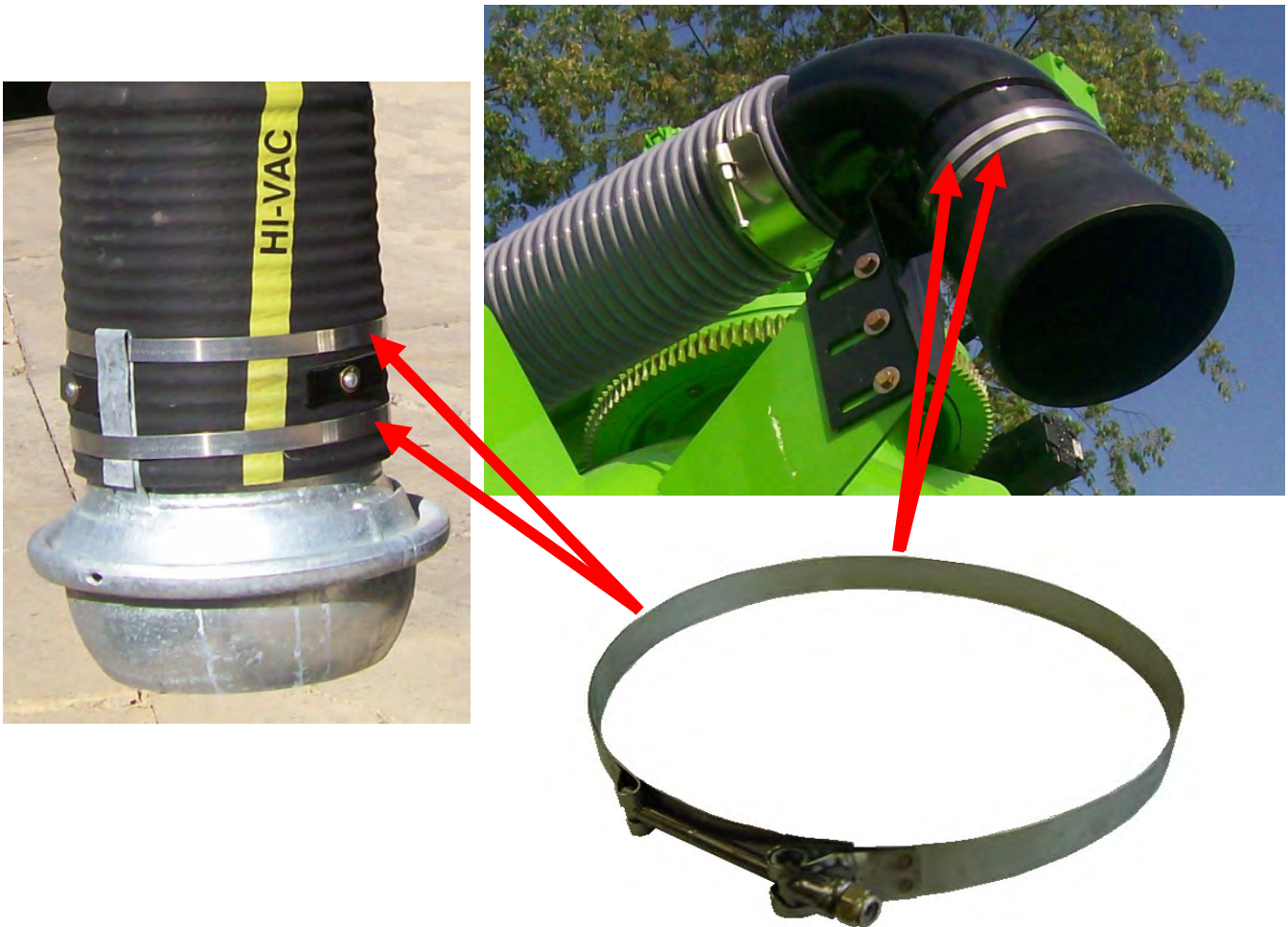
A239294-M
With 2nd Engine on Powerdeck



121003091 rev A
With (High) Horizontal Strainer

8" T-BOLT HOSE CLAMP

Here at Hi-Vac we use Band-It™ hose clamps on the majority of our clamped hose assemblies. They are strong and economical. However many of our customers do not have the special tool to install these clamps when replacing the 8" boom hose or the vacuum closure seal . For this reason we have available a "T-bolt" type clamp for easy field installation. All that is required for installation is a 7/16" socket or wrench. Boom hoses and the closure seal are double clamped and we recommend the same when using this clamp.



PART NO. A381225

Please see our Parts and Accessories Catalog for other sizes of T-Bolt clamps that we have available.

CLOSURE SEALS



PART NUMBER	NOMINAL SIZE	SERVICE CLAMP *
A191285	4"ID to 5-3/4"ID Flare X 7-1/4"L	U4607-0235 T-Bolt
A191286	8"ID to 10"ID Flare X 10"L	A381225 T-Bolt (2)
U5607-0012	10"ID to 12"ID Flare X 10-1/4"L	TBA
U5607-0013	12"ID to 13-1/4" Flare X 10"L	TBA

* Original factory installed clamps are the bulk banding type.



A304104-6

Horizontal Strainer

USED ON THE FOLLOWING

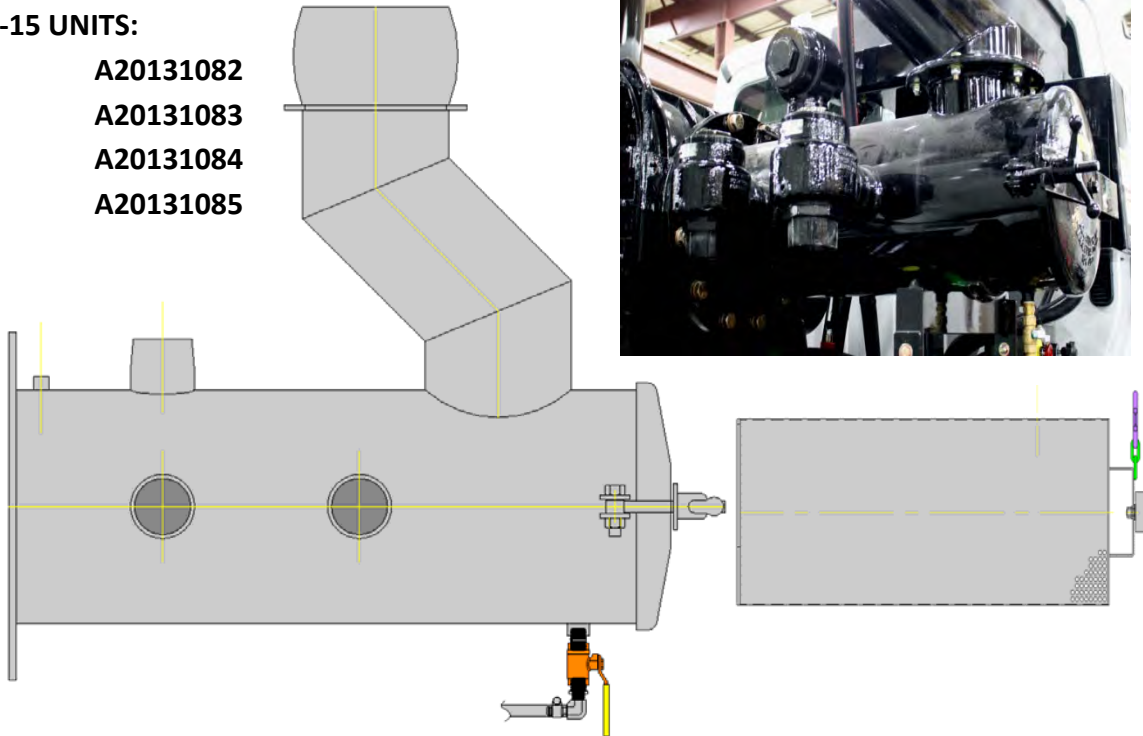
B-15 UNITS:

A20131082

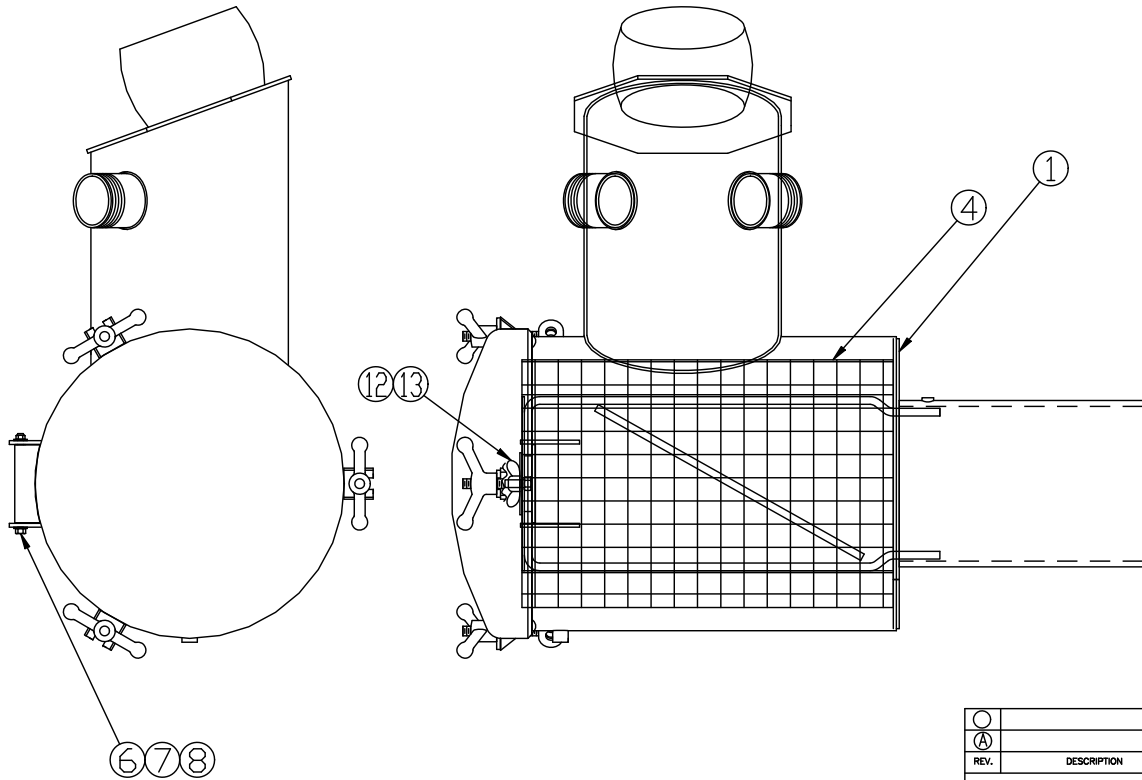
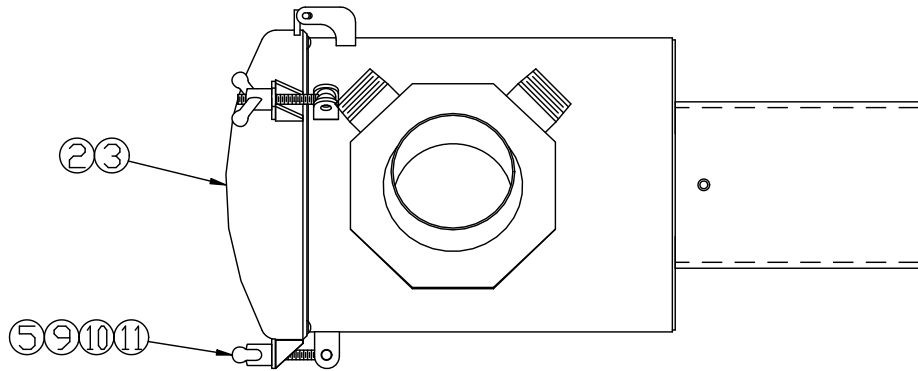
A20131083

A20131084

A20131085



Level	Part Number	Description	Qty.
1	A304104-6	HORIZONTAL STRAINER ASSY., 824 ROOTS	1
2	18-0501	WASHER,NEOPRENE BONDED GALVANIZED	1
2	A132210	FITTING,NIPPLE,SCH40- PIPE, 1/	1
2	A133650	FITTING,BUSHING,REDUCER- 1/2"	1
2	A135321	FITTING,ELBOW,90D- 3/8" MNPT X	1
2	A154080	COVER, PORTAL -12" CAST,	1
2	A154080-HINGE	HINGE,PORTAL COVER	1
2	A175287	TUBING, PLASTIC, CLEAR - 3/8" I	5
2	A190230	GASKET,PORTAL-12"	1
2	A220595	CLAMP,HOSE-7/32" TO 5/8",#4 WO	1
2	A304105-12	STRAINER, HORIZONTAL - ROOTS 824, OFFSET	1
2	A381747	ROD END,5/8",11 THREAD-6 5/8"L	1
2	A381748	HAND WHEEL,5/8" 11 THREAD	1
2	A383039	VALVE,BALL-1/2"FNPT,	1
1	A304108-1	STRAINER SCREEN, HORZ. MOUNTED	1
1	A304118-2	BRACKET,STRAINER,HORIZONTAL	1



PART NO.: 384168-4		DESCRIPTION: FILTER, DRUM, 624, 2 VALVE	
ITEM	PART NO.	REQ'D.	DESCRIPTION
1	384167-4	1	WELD., DRUM FILTER, 624,2 VALVE
2	121000613	1	FILTER HOUSING DOOR
3	381701	1	DOOR SEAL
4	383165-M849	1	FILTER CARTRIDGE
5	381747	3	ROD END, 5/8-11, STAINLESS STEEL
6	104138	1	CAP SCREW, 5/16-18 X 6, GR 8 PLATED
7	107017	1	LOCKNUT, HEX, 5/16-18,
8	107214	2	WASHER, FLAT, 5/16
9	381748	3	HANDWHEEL, 5/8-11
10	105380	3	CAP SCREW, 5/8-11 X 2 1/4, GRADE 8
11	U4604-0014	3	LOCKNUT, 5/8-11, PLATED
12	21-0608	1	WINGNUT, 1/2-13
13	383165-WASHER	1	CARTRIDGE FILTER MOUNTING WASHER

DO NOT SCALE

NEXT ASSY.				
SCALE: NONE	WEIGHTS:	DRAWN BY: CGT	PRODUCT CODE:	
DWG SIZE: B	DATE: 21DEC16	CHECKED BY:	B-SERIES	

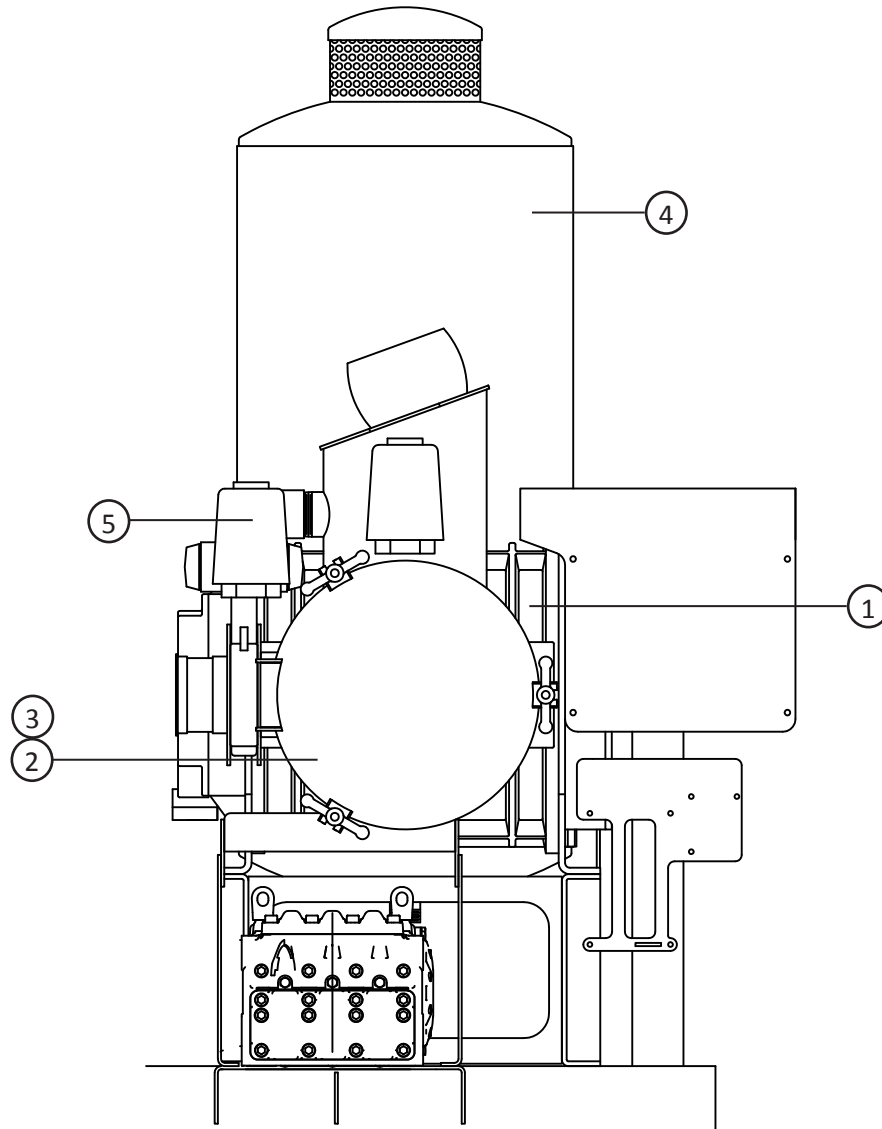
REV.	DESCRIPTION	DATE	BY	DESCRIPTION:
○				
Ⓐ				

UNLESS OTHERWISE SPECIFIED

✓ ±125 MICRONS BREAK ALL EDGES FABRICATION TOL ± 1/16" ANGULAR ± 1°	MACHINING TOLERANCES FRACTIONAL ± .015 DECIMAL ± .010 XXX ± .005	THIS DOCUMENT IS THE PROPERTY OF HI-VAC, CORP. AND IS FURNISHED FOR AUTHORIZED USE ONLY; NEITHER THIS DOCUMENT NOR THE INFORMATION DISCLOSED HEREIN SHALL BE COPIED, REPRODUCED, TRANSFERRED OR USED FOR MANUFACTURING OR FOR ANY OTHER PURPOSE EXCEPT AS AUTHORIZED IN WRITING BY HI-VAC, CORP.	MATERIAL: RAW MAT'L:	PART NUMBER: 384168-4	REV: -
--	---	---	-------------------------	--------------------------	-----------

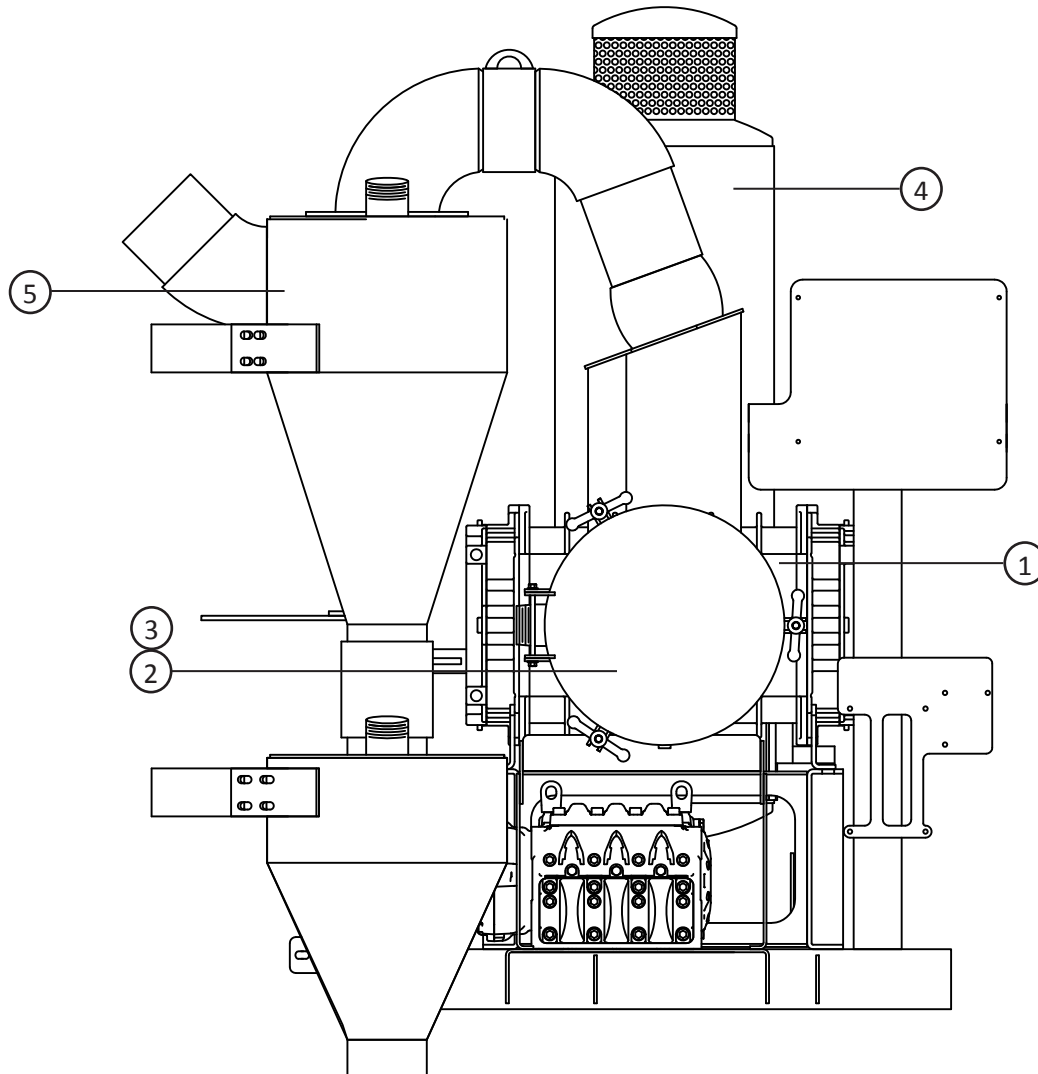
FILTER, DRUM, 624, 2 VALVE

EXHAUSTER AND DUCTING ASSEMBLY 824 BLOWER (W/ HORIZONTAL DRUM FILTER)



ITEM	PART #	DESCRIPTION	QTY
1	134000000	BLOWER,ROOTS 824	1
2	A384576-16	FILTER,DRUM,824	1
3	A383165-M849	CARTRIDGE ELEMENT	1
4	A338410	SILENCER, ASSEMBLY - 12"	1
5	A255041-18	VALVE,VACUUM RELIEF-3"NPT,18"H	3

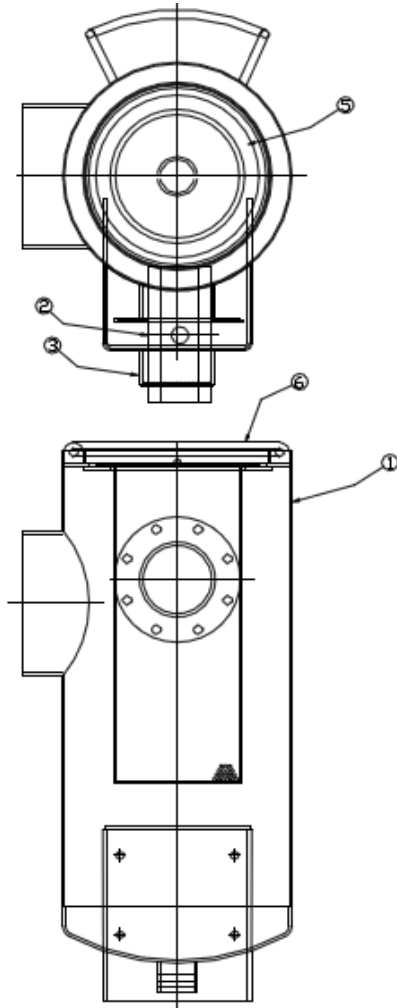
EXHAUSTER AND DUCTING ASSEMBLY ROOTS 824 (CYCLONE & HORIZONTAL STRAINER)



ITEM	PART #	DESCRIPTION	QTY
1	134000000	BLOWER,ROOTS 824	1
2	A384576-1-VAC	FILTER HOUSING,824,VAC BRKR	1
3	A383165-M849	CARTRIDGE ELEMENT	1
4	A338410	SILENCER, ASSEMBLY - 12"	1
5	A255041-18	VALVE,VACUUM RELIEF-3"NPT,18"H	3
6	A385700	CYCLONE INSTALLATION - FRONT	1




A382310 MICRO STRAINER




ITEM	PART NO.	DESCRIPTION	QTY.
1	A382311	WELDMENT, MICRO STRAINER	1 EA
2	A249480	VACUUM BREAKER, 6', 12VDC, DRYV	1 EA
3	02-0819-MFD	GUARD, BUTTERFLY VALVE, 6" DIAME	1 EA
4	10-0218	CAMLOCK, 3" DUST CAP, ALUM	1 EA
5	A382313	BASKET, MICRO STRAINER	1 EA
6	U3807-0067	GASKET, MICRO STRAINER, B-15, 1-3	1 EA
7	10-0203	CAMLOCK, 3" MALE X 3" FNPT, TYPE	1 EA
NI	13-0100	SWITCH, VACUUM, 0-30" HG	1 EA

VACUUM RELIEF VALVES

OLD

	<p>P/N 16-0267 (replaced by A255041 below)</p> <ul style="list-style-type: none"> • 3”NPT • Opens at 15”hg • 2 used with Roots 624 Blower • 3 used with Roots 824 & 827
	<p>P/N 16-0006 (replaced by A255041-18 below)</p> <ul style="list-style-type: none"> • 3”NPT • Opens at 18”hg • 3 used with Hibon TS56

NEW

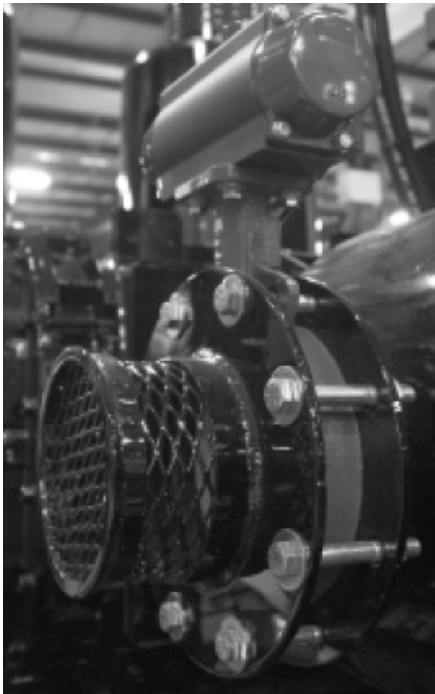
	<p>P/N A255041</p> <ul style="list-style-type: none"> • 3”NPT • Opens at 15”hg • 2 used with Roots 624 Blower • 3 used with Roots 824 & 827
	<p>P/N A255041-18</p> <ul style="list-style-type: none"> • 3”NPT • Opens at 18”hg • 3 used with Hibon TS56

AQUATECH[®]

VACUUM BREAKER OPTION WITH A383744 VALVE & A383745 ACTUATOR



VACUUM BREAKER INLET SCREENS



02-0819



A382526-1

The blower silencer used by the old Aquatech company on the standard B-Series machines in the early 90s was different from the current design and is not available from Hi-Vac Corp (Aquatech Inc. sourced this and we do not have the drawings to build it). The current silencer will not fit for following reasons:

- The old design sat upon a platform and is supported by "fins" on the bottom. The current design is suspended between mounting brackets (see below).
- The older design's inlet was higher up the side of the silencer.
- The old design was coupled to the blower by a rubber sleeve, whereas now the silencer bolts directly to the blower.
- The flange on the current design accomodates the Roots 624 blower. The older design was used mainly with Robuschi blowers.

Photo submitted by Jan Direr, Euro Parts & Service LTD



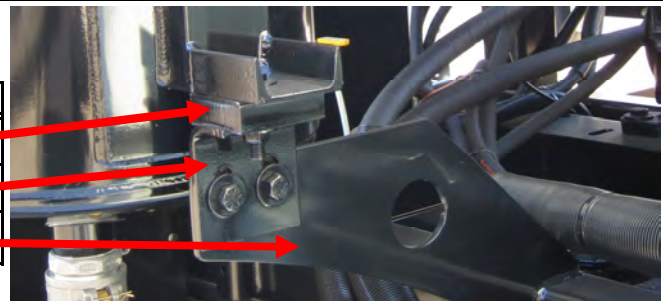
A159590 (Obsolete)



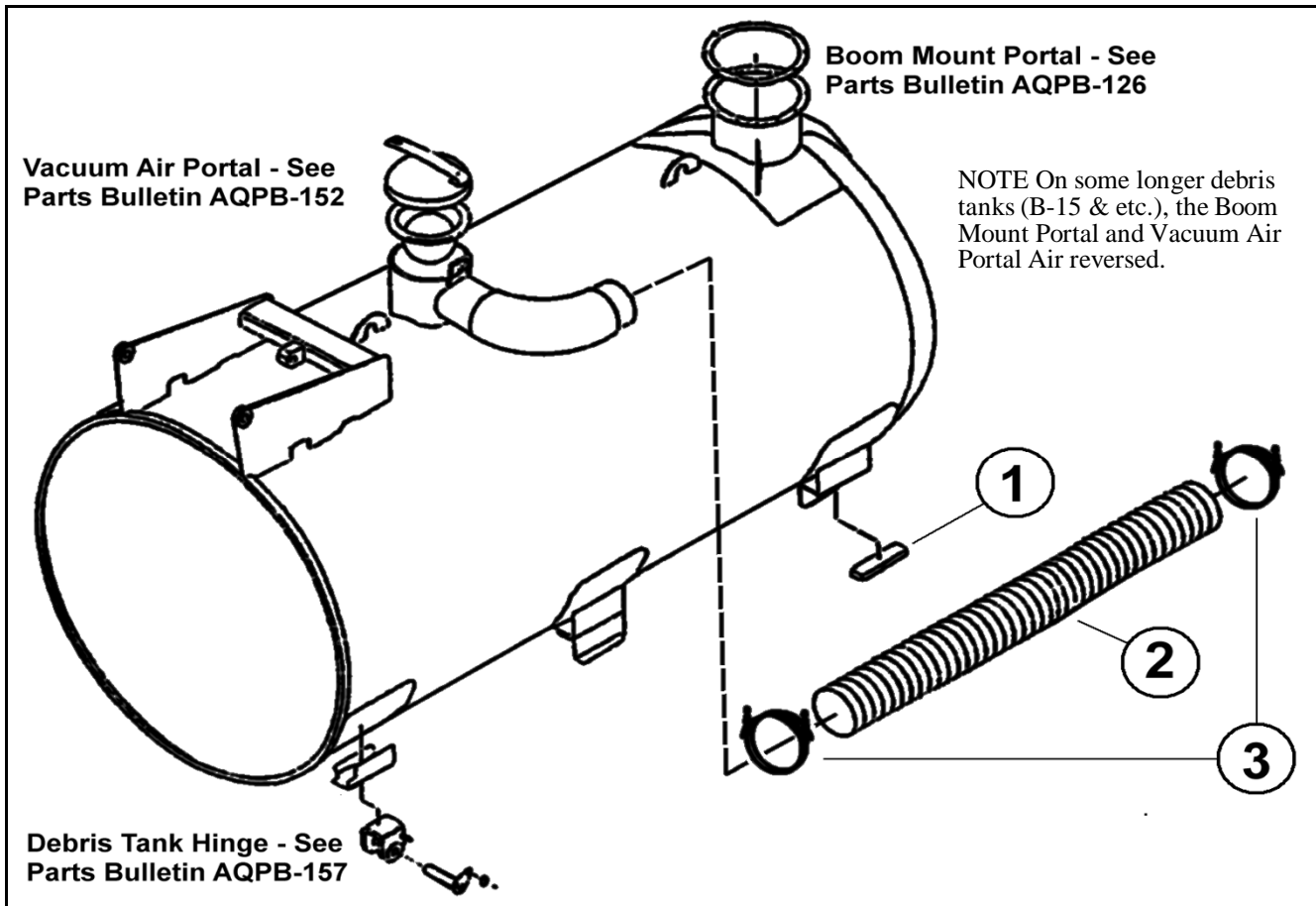
A380796 (Current Design)

Current Mounting Components

QTY	PART NO.	DESCRIPTION
2	A250362	Silencer Support Pads
2	A246251	Mounting Angle Brackets
2	A246099	Silencer Support

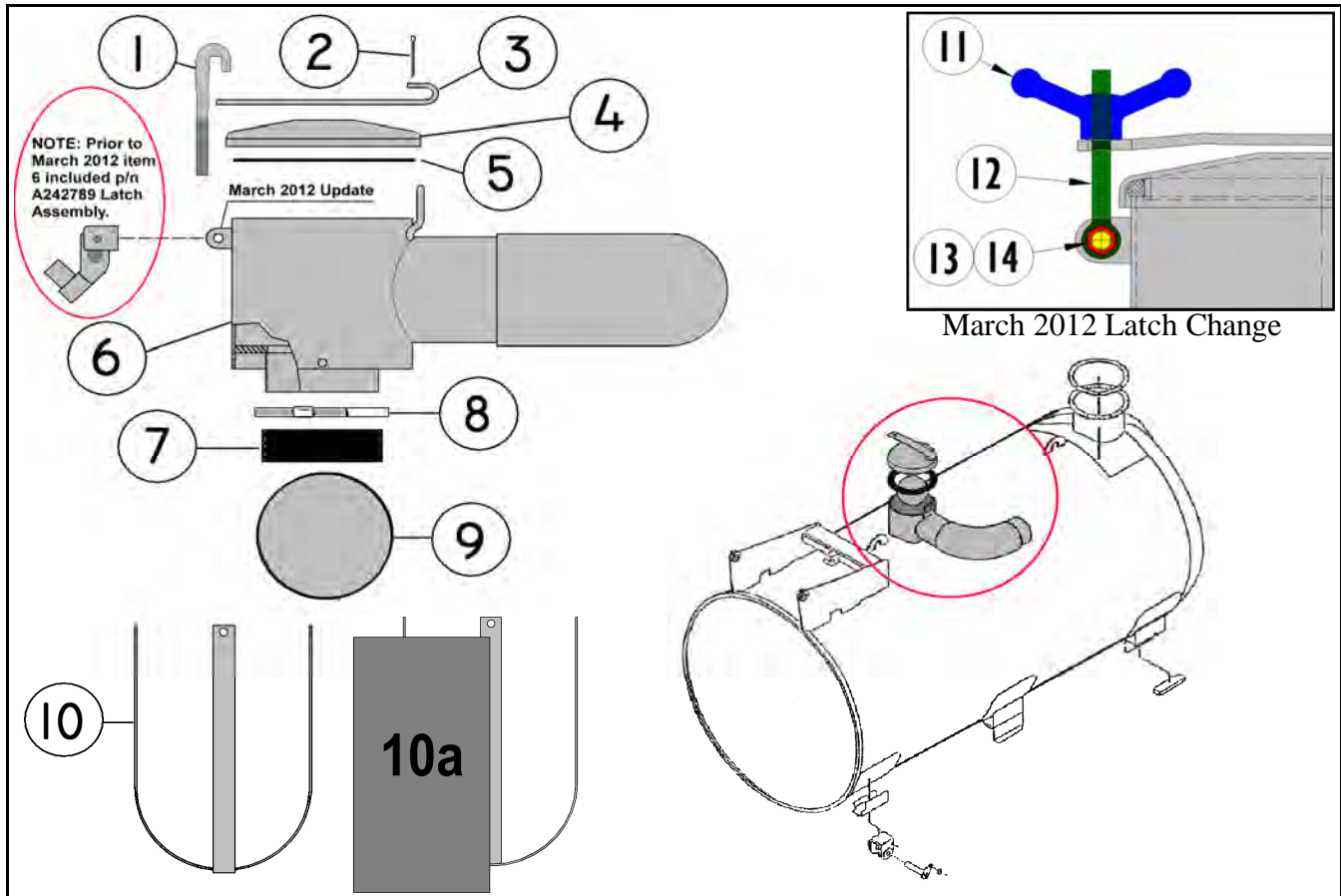


MISCELLANEOUS DEBRIS TANK COMPONENTS



ITEM #	PART NO.	DESCRIPTION	QTY.
1	A240791-3	Tank Resting Pad (rubber bonded to metal) 2.5" x 10"	4
2	A176627-16	8" x 16" Vacuum Hose - Some B-15	1
	A176630-6	8" x 31.5" Vacuum Hose - B12/1000	1
	A176627-1	8" x 55-15/16" Vacuum Hose - B6	1
	A176627-65	8" x 65" Vacuum Hose - B10/1500 with Cyclones	1
	A176630	8" x 80" Vacuum Hose - Standard B-5, B-10 & B52; Some B-15	1
	A176630-3	8" x 86" Vacuum Hose - A few NYC B-10	1
	A176630-1	8" x 96" Vacuum Hose - Some B-15	1
	A176630-2	8" x 103" Vacuum Hose - B10/300, B10/1300	1
	A176630-5	8" x 104" Vacuum Hose - B10 s/n 29101011	1
	A176630-4	8" x 117" Vacuum Hose - B10/500, B10/1500, some B-KD	1
	A176627-124	8" x 124.5" Vacuum Hose - B12/2000	1
	A176630-7	8" x 138" Vacuum Hose - B15 s/n 20131082, 83. 84 & 85	1
	A176627-144	8" x 144" Vacuum Hose - B10/2000, some B10/2500, B15/1000	1
A176627-152	8" x 152" Vacuum Hose - some B10/2500	1	
3	A220698	8" Powerlock (Spiral Bolt) clamp	2

Standard Debris Tank Vacuum Air Portal

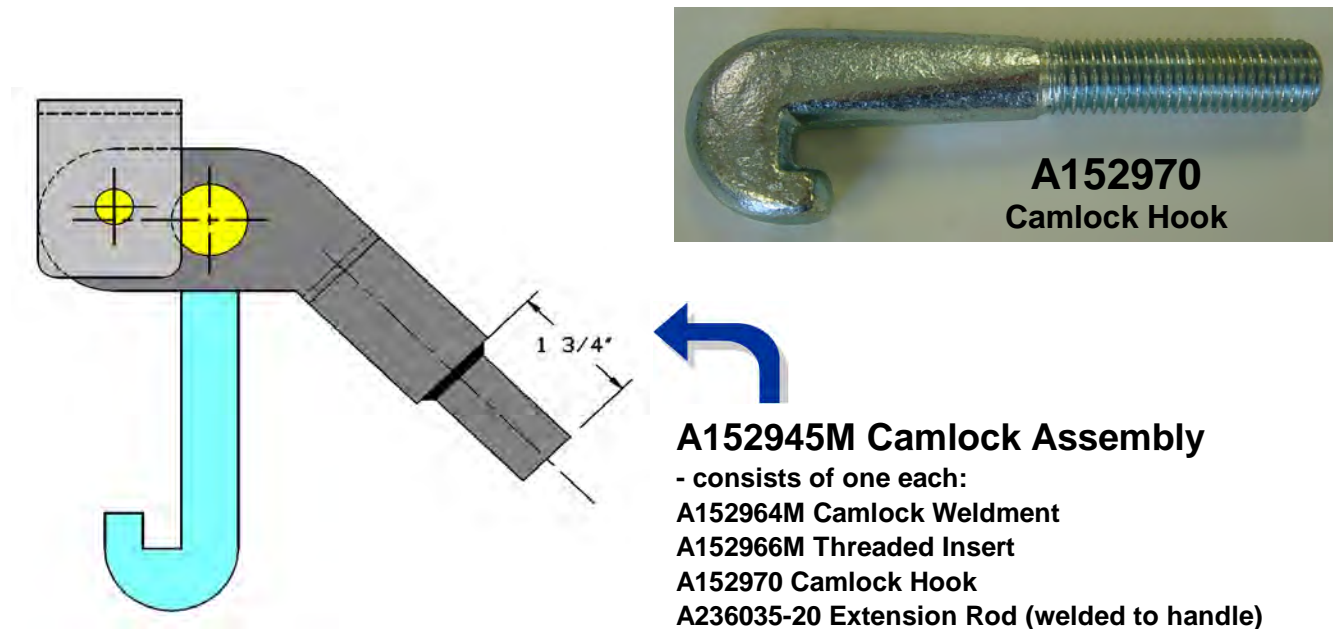
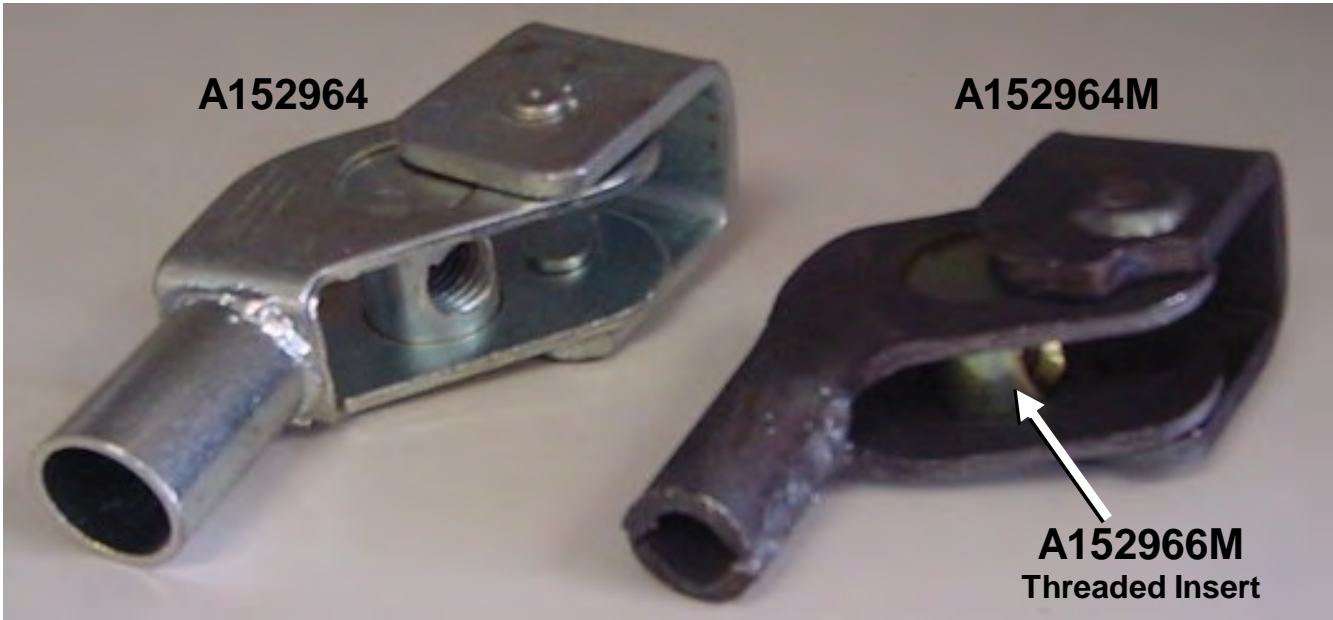


ITEM #	PART NO.	DESCRIPTION	QTY.
1	A152970	Camlock Hook (used prior to March 2012)	1
2	A102755	3/16" x 3" Cotter Pin	1
3	A154090	Spring Bar	1
4	300000259	12" Cast Portal Cover - <i>replaces p/n A154080</i>	1
5	300000398	Portal Cover Gasket - <i>replaces p/n A190230</i>	1
6	A238190 *	Air Portal Body Assembly (redesigned March 2012 for new latch)	1
7	A176290	Rubber Ball Seat	1
8	U7000-0243	Worm Gear Clamp for Ball Seat	1
9	A222005	10" Stainless Steel Float Ball (for 4500cfm & up units use A241392)	1
10	A243860	Ball Cage	1
10A	A338794	Ball Cage with 180° Cover (shield)	1
11	300000386	Hand Wheel (starting March 2012) - <i>replaces p/n A381748</i>	1
12	A381747	Stainless Steel Rod End (starting March 2012)	1
13	A105380	Cap Screw, 5/8"-11 x 2-1/4" (starting March 2012)	1
14	U4604-0014	Locknut, 5/8"-11 (starting March 2012)	1

* This is the most common portal assembly but variations exist, check BOM before ordering.

CAMLOCK LATCH

The design of the A152964 camlock lever used on various Aquatech portals and doors has change. The picture below compares the two. The older design on the left was discontinued by the manufacturer. The newer design on the right is from another supplier and we have designated it with part number A152964M. Please note that A152964M does not include A152966M round threaded insert (camlock nut). Order part number A152945M for the assembly. Camlock hook part number A152970 remains the same.



AQUATECH STYLE COUPLERS

We often hear people refer to our couplers as being "Bauer Fittings". This is a common misconception that we would like to correct. Here is an photographic depiction of the Bauer coupling system...



And here is a depiction of the Aquatech style coupler, Notice the latches are opposite. On the Bauer the latches are on the ring behind the ball (male end) and on the Aquatech the latches are on the socket (female end). Also the flare is larger on our female end.



Please refer to our "Quick Coupler Components" chart for parts and information.

AQUATECH®
QUICK COUPLER COMPONENTS

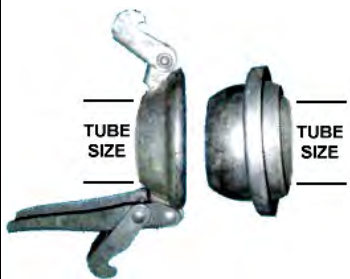
TUBE SIZE	CAP		FEMALE END (welds on)		O-RING (for female coupler)		MALE END (welds on)		RING		SHP. WT.	
	PART #	SHP. WT.	PART #	SHP. WT.	PART #	I.D.	O.D.	PART #	SHP. WT.	PART #		SHP. WT.
2 1/2"	A170290	1 lb.	A171190	1 lb.	A190620	3.38"	4.14"	A171250	1 lb.	A152920	A152925	5 lb.
3"	A170300	1 lb.	A171210	1 lb.	A190630	4.00"	4.90"	A171260	1 lb.	A171170	A171175	5 lb.
4"	A170310	1.5 lb.	A171220	1.5 lb.	A190770	4.75"	5.62"	A171270	1.5 lb.	A171180	A171185	5 lb.
6"	A17030M	2.5 lb.	A171230 A241891*	2.5 lb.	A190760	6.75"	7.96"	A171280	2.5 lb.	A152930	A152935	1 lb.
8"	A17032-MFD	4 lb.	A171240 A241777*	3.5 lb.	A191080	9.28"	10.75"	A171290	3.5 lb.	nia	A171300	1.5 lb.

* Handle modified to accept Aquatech leverage tool

Revised 1/21/2015



QUICK COUPLER & VAC TUBE COMPONENTS

	FEMALE END (welds on)		O-RING (for female coupler)			MALE END (welds on)		RING		CROWN (welds on)	
	BLACK STEEL		NEOPRENE RUBBER			BLACK STEEL		GALV. STEEL	BLACK STEEL	BLK STEEL	
TUBE SIZE	PART #	SHP. WT.	PART #	I.D.	O.D.	PART #	SHP. WT.	PART #	PART #	SHP. WT.	PART #
3"	A171210	1 lb.	A190630	4.00"	4.90"	A171260	1 lb.	A171170	A171175	.5 lb.	NA
4"	A171220	1.5 lb.	A190770	4.75"	5.62"	A171270	1.5 lb.	A171180	A171185	.5 lb.	A234483
6"	A171230 A241891*	2.5 lb.	A190760	6.75"	7.96"	A171280	2.5 lb.	A152930	A152935	1 lb.	A240412
8"	A171240 A241777*	3.5 lb.	A191080	9.28"	10.75"	A171290	3.5 lb.	n/a	A171300	1.5 lb.	A238011

* Handle modified to accept Aquatech leverage tool.



Replacement un-modified latch for 8"

Revised 6/18/2019

Issued By: AMSM
Date & Time: 11/1/2010 11:35

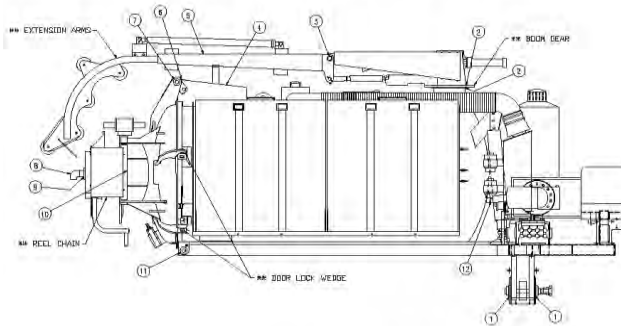
Document No: SB1.00.10.29

Proper Vacuum Tube O-Ring Maintenance

SERVICE

AQUATECH
A Product of Hi-Vac Corporation

B-SERIES STANDARD UNIT LUBRICATION CHART



Important
Notice:

NOTES:

1. Multiple fittings usually indicates one on each side.
2. ** Indicates brush-on grease.
3. Vacuum tube o-rings should be greased occasionally.
4. Grease weekly; Consult manual for specific interval.

LUBRICATION POINTS		
ITEM	DESCRIPTION	QTY.
1	WATER PUMP & VACUUM BLOWER BEARINGS	2
2	TURRET GEAR BEARINGS	2
3	BOOM PIVOT PINS	2
4	REAR DOOR CYLINDER	1
5	EXTENSION ARM	2
6	REAR DOOR CYLINDER PIN	1
7	REAR DOOR HINGE PIN	2
8	SWIVEL ELBOW	1
9	REEL BEARING	2
10	TANK TIPPING PIN	2
11	CYLINDER PIN	2
NOT SHOWN	TURRET WORM GEAR BEARINGS	2

AQUATECH OPERATIONS, SERVICE AND PARTS MANUAL
SERVICE 15

Hi-Vac Corporation has replaced the term occasionally (as seen above in item 3. under NOTES:) on page 15 in the equipment manual to (once a week) as it pertains to the application of grease to the o-ring seal on all vacuum tubes.

Advantages:

1. Improved ease of connecting and disconnecting tubes.
2. Prolonged life of the o-ring seal material.
3. Prevent potential damage to vacuum tube latches.

For additional information contact
Phone: 1-800-752-2400
e-mail: customerservice@hi-vac.com

AQUATECH®

COUPLERS & ADAPTERS



**FEMALE TO MALE
REDUCER WYES**

PART NO.	FEMALE	MALE (2)	APPROX. WT.
A240879-1	8"	3" +	14 #
A240879-4	8"	3"MNPT +	13 #
A240879	8"	4" +	14 #
A240879-2	8"	4"MNPT +	13 #
A381185	8"	6"	15 #
A240879-5	8"	6"MNPT	TBD

+ Note: To prevent damage to the PD exhauster (blower), one male port must be left open to atmosphere.



**FEMALE TO MALE
REDUCERS**

PART NO.	FEMALE	MALE	APPROX. WT.
A238213	8"	6"	12 #
A170220	6"	4"	9 #
A170210	4"	3"	7 #
A170200	4"	2-1/2"	6 #

**MALE COUPLER TO
HOSE SHANK**



PART NO.	MALE	HOSE I.D.	APPROX. WT.
A171340	3"	3"	3.5 #
A171140	4"	4"	4.5 #
A171160	6"	6"	7 #
A171312	8"	8"	22 #

**FEMALE COUPLER TO
HOSE SHANK**



PART NO.	FEMALE	HOSE I.D.	APPROX. WT.
A171120 *	3"	3"	2.5 #
A170340	4"	4"	3.5 #
A171130	6"	6"	5.5 #
A381508	8"	6"	12 #
A171311 *	8"	8"	21 #

* O-Ring not included

**MALE COUPLER TO
THREADED SHANK**



PART NO.	MALE	MALE NPT	APPROX. WT.
A171420	3"	3"	4.5 #
A171430	4"	4"	5.5 #
A170375	6"	6"	8 #

**FEMALE COUPLER TO
THREADED SHANK**



PART NO.	FEMALE	MALE NPT	APPROX. WT.
A171080 *	3"	3"	4 #
A171090 *	4"	4"	5 #
A380353 *	6"	6"	7.5 #
A381508-1 *	8"	6"	TBD
A171311-1 *	8"	8"	TBD

* O-Ring not included

**MALE NPT TO HOSE
SHANK**



PART NO.	MALE NPT	HOSE I.D.	APPROX. WT.
02-0994	2.5"	2.5"	2 #
02-0998	3"	3"	2.5 #
02-1004	4"	4"	3.5 #
02-1019	6"	6"	8 #
02-1028	8"	8"	15 #

CAPS



PART NO.	FEMALE
A170300	3"
A170310	4"
A170320M	6"
A170325-MFD	8"

O-RINGS



SIZE	PART NO.
3"	A190630
4"	A190770
6"	A190760
8"	A191080

Revised 1/24/2019



117 Industry Road • Marietta, Ohio 45750 • 740-374-2306 • customerservice@hi-vac.com

AQUATECH STYLE ALUM VACUUM TUBES W/STEEL ENDS

4 INCH DIAMETER			6 INCH DIAMETER			8 INCH DIAMETER				
LENGTH	INTAKE	EXTENSION	FLUIDIZER	INTAKE	EXTENSION	FLUIDIZER	INTAKE	EXCAVATOR	EXTENSION	FLUIDIZER
3 ft.		A150401	A150423	A150161	A150461	A240805			A383961	A384071
4 ft.	A150402	A380223		A150171	A150471		A383969		A383962	
5 ft.					A150475				A383963	
6 ft.	A150421	A380222		A150181	A150481		A383970	A304478-P	A383964	A383964-1
7 ft.					A150482				A383965	
8 ft.	A381982	A381734		A150186	A150485		A383971	A384084	A383966	
9 ft.									A383967	
10 ft.				A150191	A150491		A380412		A383968	
Gasket	A190770			A190760			A191080			
Reducer	A170210 (4"F to 3"M)			A170220 (6"F to 4"M)			A238213 (8"F to 6"M)			

ADAPTERS

8" Female Aquatech to 8" Flat Flange Adapter	A381998	For attaching other style tubes to our Aquatech 8" boom hose.
8" Female Aquatech to 8" Female Travis *	A383272	
8" Female Aquatech to 8" Male Travis *	A383259	
8" Female Aquatech to two 4" Male Aquatech Wye	A240879	For attaching 4" vacuum hose for cleaning valve boxes. Caution: Reduced air flow can overheat the blower. See comment below.
8" Female Aquatech to two 4" MNPT Wye	A240879-2	

* Will accept Bandlock tubes, but the Travis clamp must be used (order p/n A220425).

Blowers rely on air flow to keep the rotors cool. The internal tolerances of a blower is measure in thousands of a inch. If the blower overheats the rotors can expand till the tolerances disappear causing serious internal damage. Air flow is affected by the size and weight of material being vacuumed up and the size, length and internal surface of the hose (defined as friction loss). When reducing from 8" to 6", keep the length of hose short and introduce the material to the inlet slowly. When reducing from 8" to 4", the wye adapter must be used with one leg left open to atmosphere.



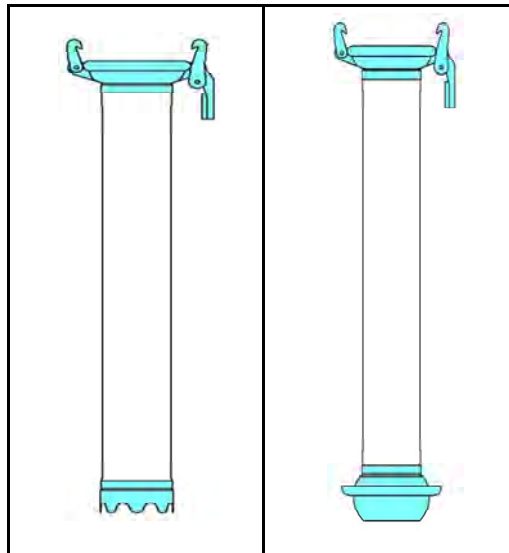
8" ZIP TUBE
 HYDRO-EXCAVATOR
 P/N A381546-Z

High pressure water pulverizes the soil from 12 stainless steel replaceable jets . The soil is then removed by vacuum suction through the tube.


Tube Connector Tool
 P/N A238227



**AQUATECH STYLE PVC VACUUM TUBES
WITH STEEL END FITTINGS**



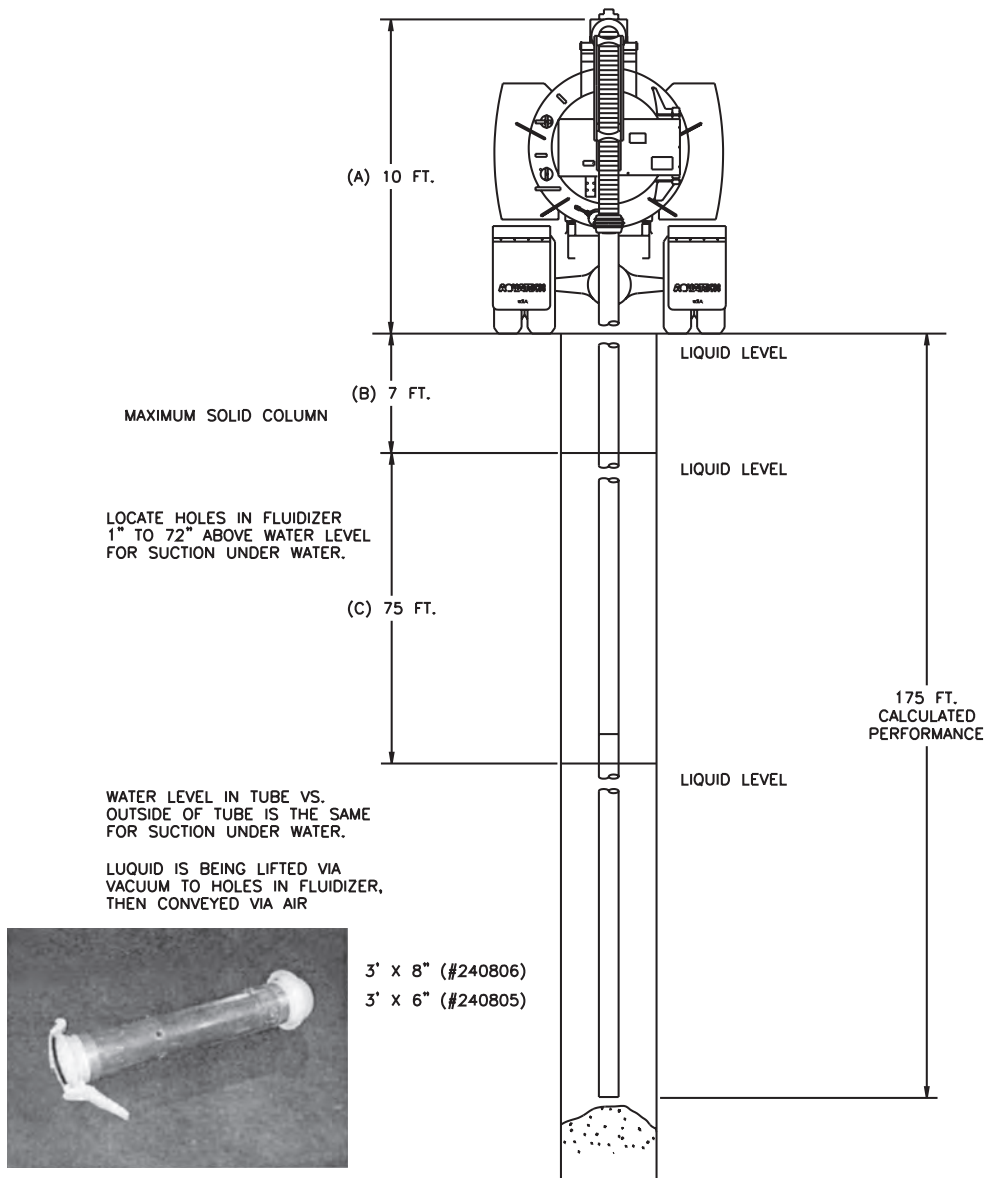
TUBE DIAMETER	LENGTH	INTAKE	EXTENSION
8"	3 ft.	A381288	A381178
8"	4 ft.	A381287	A381179
8"	5 ft.	--	A381177
8"	6 ft.	A381175	A381176-6
8"	8 ft.	A381286	A381176
Gasket (O-Ring)		A191080	

OPTIONAL EQUIPMENT

FLUIDIZING NOZZLE

The fluidizing nozzle is an accessory that allows the removal of debris under water up to 175 ft. below grade, utilizing a combination of air conveyance and vacuum. There are (3) methods of debris removal.

- A.) AIR CONVEYANCE—AIR AND MATERIAL MIX (VACUUM TUBE ON SURFACE)
- B.) PURE VACUUM—SOLID COLUMN MATERIAL (VACUUM TUBE SUBMERGED BENEATH SURFACE)
- C.) COMBINATION OF "A & B" UTILIZATION OF FLUIDIZER TUBE



FLAT FLANGE STYLE (X-VAC, VACTOR, VAC•CON, CAMEL) HD ALL ALUM TUBES



LENGTH	6 INCH DIAMETER				8 INCH DIAMETER					8"FL X 6"DIA
	INTAKE	EXCAVATOR	EXTENSION	FLUIDIZER	INTAKE	EXCAVATOR	EXTENSION	FLUIDIZER	ZIP TUBE	EXCAVATOR
2 ft.	available *		available *		available *		available *			
3 ft.	available *		A249033-6	A381847-1	available *		A249033	A249033-1		
4 ft.	A381674-7		121003289		A381674-9		A249032-4			
5 ft.	available *		available *		A383248		A249032			
6 ft.	121003290		A381845-2		A249038	A382810-P	A384000	A381853-1	A383249	A255062
6.5 ft.	A381674-1				available *	available *	available *			
6.8 ft.					A384007		available *			
7 ft.		A255044	A381845-1		available *	available *	A249032-7			
8 ft.	A381674-8		available *		A249089	available *	A249031			
10 ft.	available *		available *		available *		A383993			
Gasket	A381851				A381676					
Clamp	A381850				A381675 (Eyebolt Style) or A383245 (J-Bolt Style)					
Reducer	--				A255043 (8" to 6")					

* Available from our supplier but not yet set up in our system.

FLAT FLANGE ADAPTERS & CONNECTORS

8" Flat Flange to 8" Female Aquatech Adapter	A381998	6" Flat Flange to 6" Hose Shank Coupler	A304687
8" Flat Flange to 8" Male Aquatech Adapter	A171313	8" Flat Flange to 8" Hose Shank Coupler	A381677
Wye, 8" Flat Flange to two 4"MNPT Nipples **	A240879-3	8" Punched Steel Replacement Flange	A381871

** Caution: Reduced air flow can overheat an PD exhauster. See comment below

Blowers rely on air flow to keep the rotors cool. The internal tolerances of a blower is measure in thousands of a inch. If the blower overheats the rotors can expand till the tolerances disappear causing serious internal damage. Air flow is affected by the size and weight of material being vacuumed up and the size, length and internal surface of the hose (defined as friction loss). When reducing from 8" to 4", the wye adapter must be used with one leg left open to atmosphere.

RINGLOCK COUPLERS (AKA Irrigation Style Couplers)

BANDLOCK VS. TRAVIS



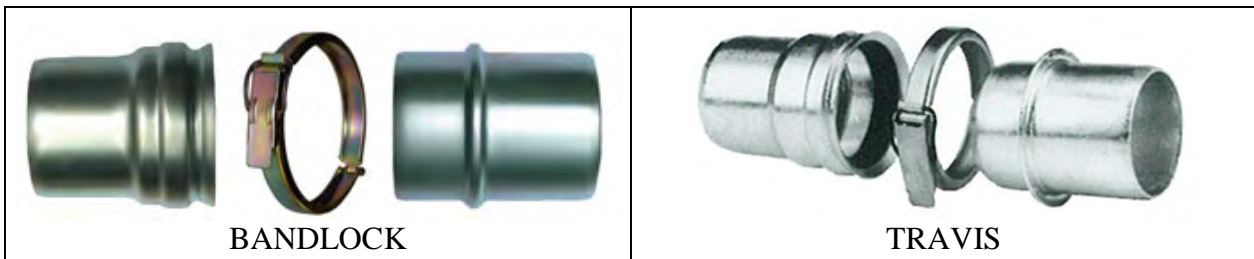
FEMALE BANDLOCK



FEMALE TRAVIS

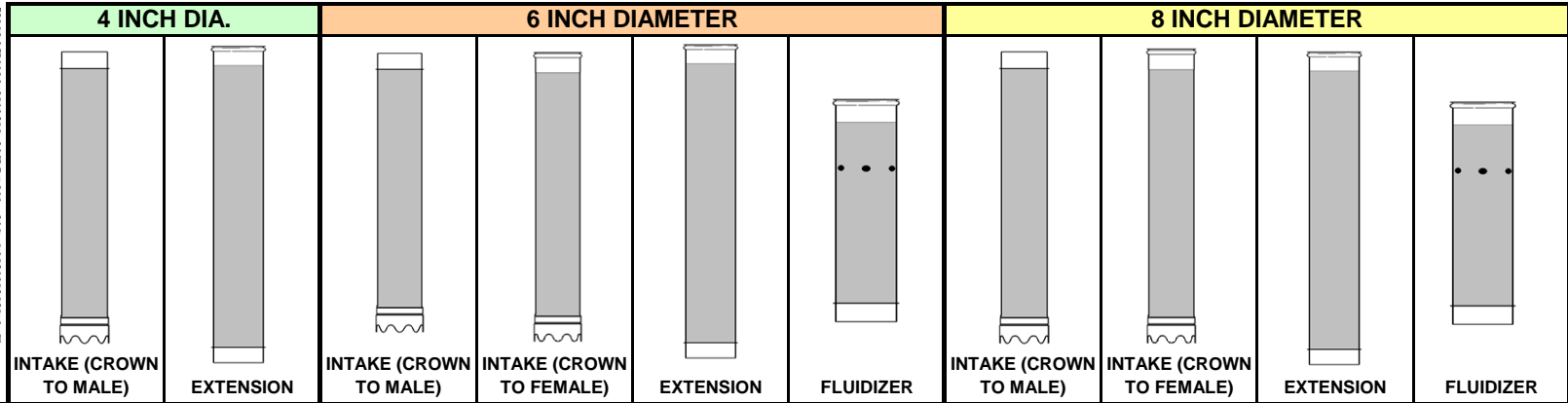
Although Bandlock and Travis couplers will attach to each other, the gaskets are not interchangeable. The O.D. of the Travis fittings are a little larger than the Bandlock so the male Travis end will be a little tight going into the female Bandlock. These photos are supplied to depict the subtle differences between the two designs. Notice the curvature of the Travis gasket groove (seen as a hump on the outside) is rounder than the Bandlock groove. Also the clamp lip is more of a flare on the Bandlock coupler whereas the Travis coupler is rolled over to form a small flange. Please verify which style of tube you have before ordering replacement gaskets.

Please also note that the clamps are sized differently. A Bandlock clamp will not close around a Travis fitting. The Travis clamp will work with Bandlock fittings but will be just a little loose.



BANDLOCK

TRAVIS



RINGLOCK STYLE (TRAVIS, CIRCLE LOCK, ULTRAVAC) ALUM TUBES W/STEEL ENDS										
3 ft.									A384174	
5 ft.									A384173	
6 ft.							A384142-SP	A384142		
7 ft.					A239196				A384172	
Gasket	U4805-0010		U4805-0012				U4805-0014			
Clamp	U4804-0014		U4804-0016				A220425			
Reducer			U4807-0013 (6"M - 4"F)				A384175 (8"F - 6"M)		U4807-0015 (8"M - 6"F)	

RINGLOCK STYLE (BANDLOCK, GUZZLER, SUPER PRODUCTS) ALUM TUBES W/STEEL ENDS										
3 ft.					A384750	A384757			A381796	A381796-1
4 ft.									A380154	
5 ft.									A381795	
6 ft.			68" available **		A384751		A380156-SP	A380156	A380157	
8 ft.					A388203				A380155	
Gasket	U4806-0001		A384756 (Black Rubber Seal that fits in the groove)				A191501 (Black Rubber Seal that fits in the groove)			
Profile Gskt			A191503 (Orange accordion seal that fits on the outside*)				A191502 (Orange accordion seal that fits on the outside*)			
Clamp			A385186				A246391			
Reducer							121003361 (8"M - 6"F)			

** Available from our supplier but not yet set up in our system.

NOTE: Bandlock style fittings are directly compatible with Travis style fittings but not the gaskets or clamps. The O.D. of the Travis fittings are a little larger than the Bandlock so the male Travis end will be a little tight going into the female Bandlock. Also, the Bandlock clamp will not close around the Travis fittings. The Travis clamp will work with Bandlock fittings but will be just a little loose.



HD RINGLOCK STYLE ALL ALUMINUM TUBES (BANDLOCK HDRL & RAINWAY)



8 INCH DIAMETER TUBES			
INTAKE (CROWN TO MALE)	EXTENSION	EXCAVATOR (MALE OUT)	FLUIDIZER
3 ft.	A383824		A383830
5 ft.	A383825		
6 ft.	A383835	A383826	121003299 A
7 ft.		A383875	
8 ft.		A383827	

COMPONENTS AND ADAPTERS	
DESCRIPTION	PART NO.
8" Female HDRL Boom Hose Shank Coupler	121005895
121005895 w/Boom Hose Mounting Hdw.	A380355-F
8" HDRL Gasket	A383829
Reducer 8"M to 6"F Rainway	TBA
Wye Adapter - 8" HDRL Female to (2) 4"MNPT	A240879-6
Wye Adapter - 8" HDRL Male to (2) 4"MNPT	A240879-7



A399045
8" HDRL CLAMP



A383828
8" HDRL FEMALE WELD-ON



A399044
8" HDRL MALE WELD-ON



A220425

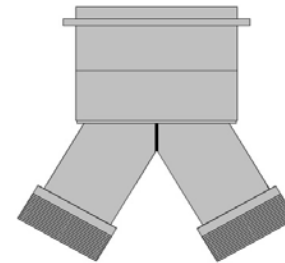


TBA



TBA

8" TRAVIS / RAINWAY CLAMP 8" RAINWAY FEMALE WELD-ON 8" RAINWAY MALE WELD-ON



A240879-6



A240879-7

NOTE: The vacuum truck industry uses Bandlock HDRL and Rainway fittings interchangeably simply referring to these as aluminum ringlock fittings. To date, we have not encountered any interchangeability issues.

Clamp-On Vacuum Tube Handles



Adds handles to vacuum tube to allow operator to have complete control of the suction operation.

6" A244262

8" A244263

Clamp-On Manhole Tube Supports



Prevents vacuum tubes from falling into manhole while adding additional extension tubes. Can also be used as long reach handles.

4" 02-7219-CS

6" A238086

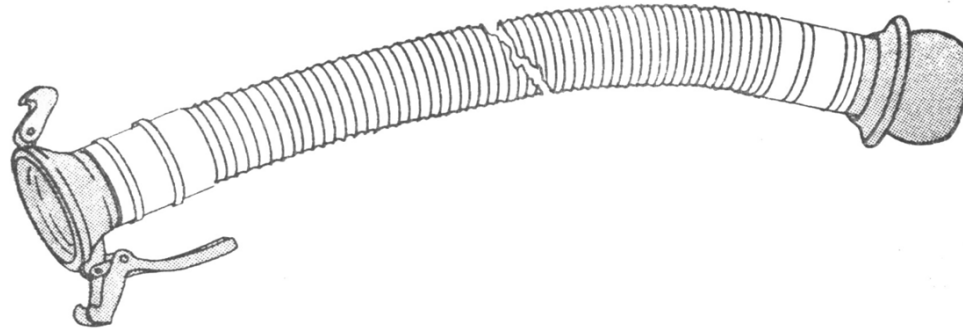
8" A238083

HOSE CLAMPS

Nominal Hose I.D.	For "Corrugated" O.D. Hose		For smooth O.D. hose or helix hoses with smooth cuffs	
	Spiral Bolt Clamps		T-Bolt Clamp	Center Punch Band Clamp
	Power-Lock Clamps	Tiger Clamps		
				
	<i>CW spiral for standard helix hose</i>	<i>CCW spiral for Kuriyama (Tigerflex) hose</i>		<i>A384941 Banding tool required</i>
2"	08-0512	U4804-0049	08-0506 (1.78" - 2.09" ID)	P08-0029
2.5"	U4804-0026	TBA	A382126 (2.78" - 3.09" ID)	08-0452 (range up to 3"ID)
3"	U4804-0027	08-0511	U4607-0311 (3.39" - 3.68" ID)	
3.5"	Not available from any supplier.	U4804-0046	08-0510 (4" - 4.31" ID)	A220700 (range up to 4"ID)
4"	10-0582	U4804-0024	U4607-0216 (4.24" - 4.56" ID) 05-0246-10 (4.31" - 4.59" ID)	
4.5"	Not available from any supplier.	Not available from any supplier.	U4607-0235 (4.5" - 4.81" ID) U4607-0238 (4.75" - 5.06" ID)	A220710 (range up to 6"ID)
5"	A382107	TBA	08-0493 (5.25" - 5.56" ID) 08-0492 (5.5" - 5.81" ID)	
6"	10-0580	U4804-0023	08-0519 (6" - 6.31" ID) 10-0575 (6.25" - 6.56" ID)	
7"	Not available from any supplier.	Not available from any supplier.	10-0703 (7.25" - 7.56" ID)	A220720 (range up to 12"ID)
8"	U4804-0022	A220698	A381225 (8.66" - 8.94" ID)	



HOSE EXTENSION ASSEMBLIES




COMPONENTS						HOSE ASSEMBLIES WITH AQUATECH COUPLERS						
INFO FOR THE HOSE ONLY		HOSE SHANK COUPLER			HOSE CLAMP (x2)							
HOSE P/N	HOSE DESCRIPTION	MALE	FEMALE	O-RING		4' (1.22m)	10' (3.05m)	15' (4.57m)	16' (4.88m)	19' 6" (5.95m)	20' (6.10m)	25' (7.62m)
A176260	4"ID X 10' Black Rubber Hose	A171140	A170340	A190770	A220710		A176300					
A176261	4"ID X Flexible Hose (per foot)	A171140	A170340	A190770	A220710		A381128					
10-0196	4"ID AR Hose	A171140	A170340	A190770	A220710		TBA					
A176261	4"ID X Flexible Hose (per foot)	A171140	A170340	A190770	A220710							A176305
A176264	4"ID X 16' HD Rubber Vacuum Hose	A171140	A170340	A190770	A220710				A382659-1			
U7000-0007	4" X 20' Rubber Line Hose w/Cuffs	A171140	A170340	A190770	A220710					TBA		
A176490	4"ID 100CL Semi Clear PVC Hose (per foot)	A171140	A170340	A190770	A220710							A238719
A176415	6"ID 100CL Semi Clear PVC Hose (per foot)	A171160	A171130	A190760	A220720		A176425					A176311
A176414	6"ID 110GR Green PVC Hose (per foot)	A171160	A171130	A190760	A220720			A249254				
A176271	6"ID Black Rubber Hose (per foot)	A171160	A171130	A190760	A220720			A176309				
U7000-0049	6"ID X 10' Rubber Line Hose w/Cuffs	A171160	A171130	A190760	A220720		A176310					
A176618	6"ID X 16' Cuffed Hose (Boom Hose)	A171160	A171130	A190760	A220720				A247046			
A176617	6"ID X 19' 6" Cuffed Hose (Boom Hose)	A171160	A171130	A190760	A220720					A249394		
U7000-0004	6"ID X 20' Rubber Line Hose w/Cuffs	A171160	A171130	A190760	A220720						TBA	
A176416	8"ID 100CL Semi Clear PVC Hose (per foot)	A171312	A171311	A191080	A220720	A176313						
A380269	8"ID X 10' Cuffed Flexible Vacuum Hose	A171312	A171311	A191080	A220698		A176312					
A176620	8"ID X 20' Cuffed Hose (Boom Hose)	A171312	A171311	A191080	A220720						TBA	
A176627	8"ID X 20' Plastic Vacuum Hose	A171312	A171311	A191080	A220720							A176318


Revised 11/15/2018

HI-VAC CORPORATION 117 Industry Road • Marietta, Ohio 45750 • 740-374-2306 • customerservice@hi-vac.com




VACUUM HOSE

FLEX HOSE 	For general water suction. Excellent flexibility even at low temperatures. Flexible PVC with rigid PVC helix reinforced construction. Corrugated cover, smooth interior. Semi-Transparent		Part Number	Inside Diameter	Approx. Outside Diameter	Std. Length	Vacuum Rating @ 72° F	Min. Bending Radius	Weight per Foot
	Temp. range: -13°F to 158°F		A176420	3"	3.50"	100'	29.8"	2.8"	1.00 lbs.
			A176490	4"	4.63"	100'	29.8"	4.3"	1.52 lbs.
			A176415	6"	6.73"	50'	28"	11"	3.10 lbs.
			A176416	8"	9.04"	25'	28"	14.3"	5.38 lbs.


HD FLEX HOSE 	Heavy duty water suction hose. Flexible PVC with rigid PVC helix reinforced construction. Smooth cover, smooth interior. Green in color		Part Number	Inside Diameter	Approx. Outside Diameter	Std. Length	Vacuum Rating @ 72° F	Min. Bending Radius	Weight per Foot
	Temp. range: -13°F to 158°F		A176400	3"	3.41"	100'	29.8"	6.1"	1.21 lbs.
			A176410	4"	4.50"	100'	29.8"	15"	2.01 lbs.
			A176414	6"	6.67"	100'	28"	15"	3.37 lbs.
			TBA	8"	8.83"	20'	28"	20"	5.80 lbs.





VACUUM HOSE

RUBBER LINE HOSE 	Lightweight material handling hose designed for industrial vacuum equipment. The 1/8" abrasion resistant gum tube is ideal for conveying light materials. (Ground using helix wire to make static conductive.) Reinforcement: Plies of fabric with helix wire. SBR Black Corrugated Cover. Soft cuffs on both ends.		Part Number	Inside Diameter	Approx. Outside Diameter	Std. Length	Vacuum Rating @ 72° F	Min. Bending Radius	Weight per Foot
	Temp. range: : -40°F to +160°F		U7000-0007	4"	4.63"	20'	29"	24"	2 lbs.
			U7000-0049	6"	6.63"	10'	29"	36"	3 lbs.
			U7000-0004	6"	6.63"	20'	29"	36"	3 lbs.
			U7000-0158	8"	8.63"	10'	17"	48"	5.3 lbs.

HEVAC[®] CORPORATION VACUUM HOSE

AR (ABRASION RESISTANT)		Recommended hose, especially as last piece closest to the nozzle. Ideally suited for dry material handling of abrasive products such as grain, iron ore, crushed rock, sand, cement, powders, and gravel. Static dissipating rubber with PVC helix construction. Corrugated cover, smooth interior.	Inside Diameter	Approx. Outside Diameter	Vacuum Rating @ 72° F	Min Bend Radius @ 72° F	Weight per Foot	Standard Length	Part Number
			Work Hose	Temp. range: -30° to 140° F <i>Up to 5" ID sold in 25' increments only 6" & 8" ID sold per foot</i>	1½"	1.82"	29.8"	2"	0.37#
		2"	2.35"	29.8"	2.5"	0.50#	100'	10-0450	
		2½"	2.95"	29.8"	2.5"	0.88#	100'	10-0451	
		3"	3.50"	29.8"	3"	1.10#	100'	10-0458	
		3½"	4.11"	29.8"	4"	1.35#	100'	10-0452	
		4"	4.63"	29.8"	4.5"	1.77#	100'	10-0196	
		5"	5.76"	28"	5"	2.47#	50'	10-0453	
		6"	6.73"	28"	9.2"	3.08#	50'	10-0454	
		8"	9.04"	27"	15"	5.65#	50'	10-0455	
		10"	11.18"	25"	30"	8.88#	20'	10-0584	

LW (LIGHT WEIGHT) RUBBER		Better abrasion resistance than plastic hose. Reinforced with single tempered spring steel flat wire. Soft cuffs on each end. Static electricity conductivity exceeds the MIL spec. of .5 megaohms/ft. Resists weather and abrasion.	Inside Diameter	Approx. Outside Diameter	Vacuum Rating @ 68° F	Rec. Min. Bend Radius	Weight per Foot	Standard Length	Part Number
			Work/Conveying Hose	Temp. range: -20° to 175° F <i>Sold in standard lengths only (due to cuffs), other lengths can be special ordered with a 3 to 4 week lead time.</i>	1½"	1.95"	Full	3"	.7#
		2"	2.44"	Full	3½"	.9#	50'	10-0034	
		2½"	3.03"	Full	4½"	1.1#	50'	10-0035	
		3"	3.50"	Full	5½"	1.3#	50'	10-0006	
		3½"	4.00"	Full	6½"	1.8#	50'	10-0007	
		4"	4.50"	Full	7½"	2.0#	50'	10-0008	
		5"	5.56"	Full	9½"	2.7#	50'	10-0176	
		6"	6.50"	22"	12"	3.3#	50'	10-0151	

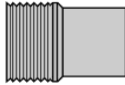
HD (HEAVY DUTY) RUBBER		Better abrasion resistance, but less flexibility, than light weight rubber hose. Double wire reinforced. 4" long soft cuffs on each end. Static electricity conductivity exceeds the MIL spec. of .5 megaohms/ft. Resists weather and abrasion.	Inside Diameter	Approx. Outside Diameter	Vacuum Rating @ 68° F	Rec. Min. Bend Radius	Weight per Foot	Standard Length	Part Number
			Conveying Hose	Temp. range: -20° to 175° F <i>Sold in standard lengths only (due to cuffs), other lengths can be special ordered with a 3 to 4 week lead time.</i>	2"	2.62"	Full	2.5"	1.1#
		2½"	3.12"	Full	3.5"	1.44#	50'	10-0088	
		3"	3.62"	Full	5"	1.7#	50'	10-0089	
		3½"	4.1"	Full	6.5"	2.0#	50'	10-0090	
		4"	4.6"	Full	8"	2.2#	50'	10-0086	
		5"	5.7"	Full	11"	3.2#	50'	10-0474	
		6"	6.8"	Full	14"	4.4#	50'	10-0084	
		8"	8.8"	Full	18"	6.8#	25'	10-0085	



MALE PIPE THREAD HOSE SHANK ADAPTERS

Hose	1½"MNPT	2"MNPT	2½"MNPT	3"MNPT	4"MNPT	5"MNPT	6"MNPT
1½"	02-1568	02-0990	02-0992	02-0995 *	n/a	n/a	n/a
2"	n/a	02-0991 A	02-0993	02-0996	02-1000 *	n/a	n/a
2½"	n/a	n/a	02-0994 +	02-0997	02-1001 *	n/a	n/a
3"	n/a	n/a	n/a	02-0998 B +	02-1002	02-1008 *	n/a
3½"	n/a	n/a	n/a	n/a	02-1003	02-1009	02-1016 *
4"	n/a	n/a	n/a	n/a	02-1004 A +	02-1010	02-1017 *
5"	n/a	n/a	n/a	n/a	n/a	02-1011 +	02-1018
6"	n/a	n/a	n/a	n/a	n/a	n/a	02-1019 +

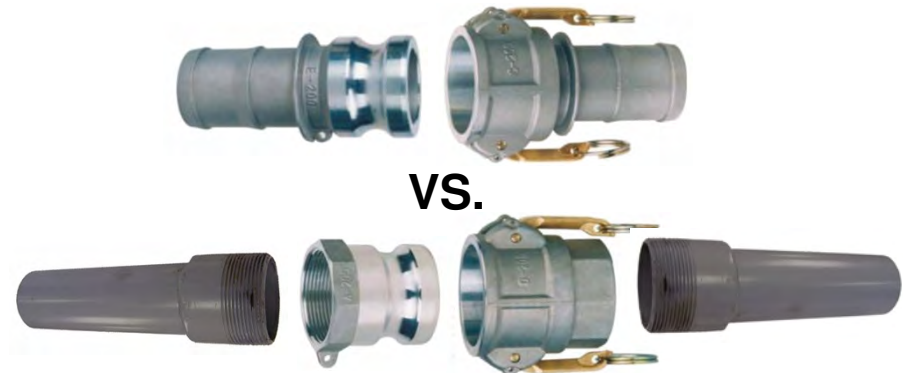
* Please discuss conveying performance with your Hi-Vac representative before ordering this adapter.



+ Add a -P suffix for economy version of this adapter. These are sourced and are shorter in length.

USING HOSE SHANK CAMLOCK COUPLERS TO CONNECT HOSE

Although hose shank style camlock couplers are available from Hi-Vac Corporation, we recommend using threaded camlock couplers along with the above steel hose shank adapters to allow maximum air flow. The thickness of the casted shank of the former creates a restriction at the coupling, reducing vacuuming performance.



CAMLOCK STYLE QUICK COUPLERS

									
	TYPE A	TYPE F	TYPE E	TYPE D	TYPE B	TYPE C	TYPE DP	TYPE DC	
SIZE	Male X Female NPT	Male X Male NPT	Male X Hose Shank	Female X Female NPT	Female X Male NPT	Female X Hose Shank	Dust Plug	Dust Cap	Replacement Gasket
1½"	10-0546	TBA	TBA	10-0545	TBA	TBA	10-0515	TBA	TBA
2"	10-0201	TBA	U7000-0262	10-0209	TBA	U7000-0263	10-0223	10-0216	10-0487
2½"	10-0202	TBA	U7000-0192	10-0210	U7000-0202	U7000-0195	10-0224	10-0217	10-0488
3"	10-0203	TBA	TBA	10-0211	TBA	U7000-0247	10-0225	10-0218	10-0489
4"	10-0204	U7000-0203	U7000-0193	10-0212	U7000-0227	U7000-0196	10-0226	10-0219	10-0490
5"	10-0205	TBA	U7000-0225	10-0213	TBA	TBA	10-0227	10-0220	10-0491
6"	10-0206	U7000-0204	U7000-0194	10-0214	U7000-0228	U7000-0197	10-0228	10-0221	10-0492
8"	10-0207	TBA	TBA	10-0215	TBA	TBA	10-0229	10-0222	10-0493
10"	10-0589	TBA	TBA	10-0588	TBA	TBA	10-0642	TBA	TBA